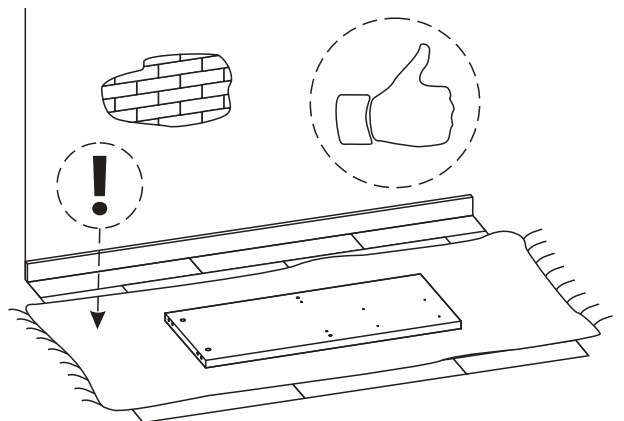
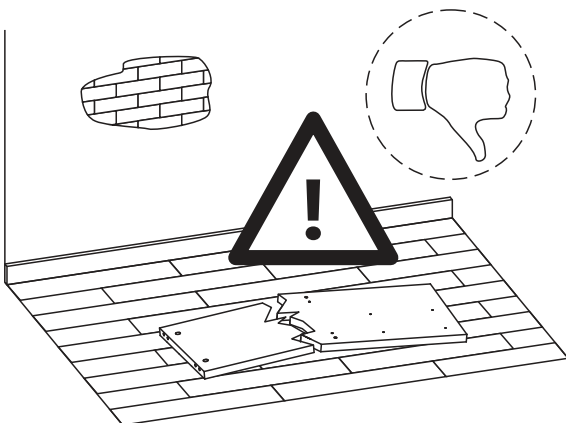
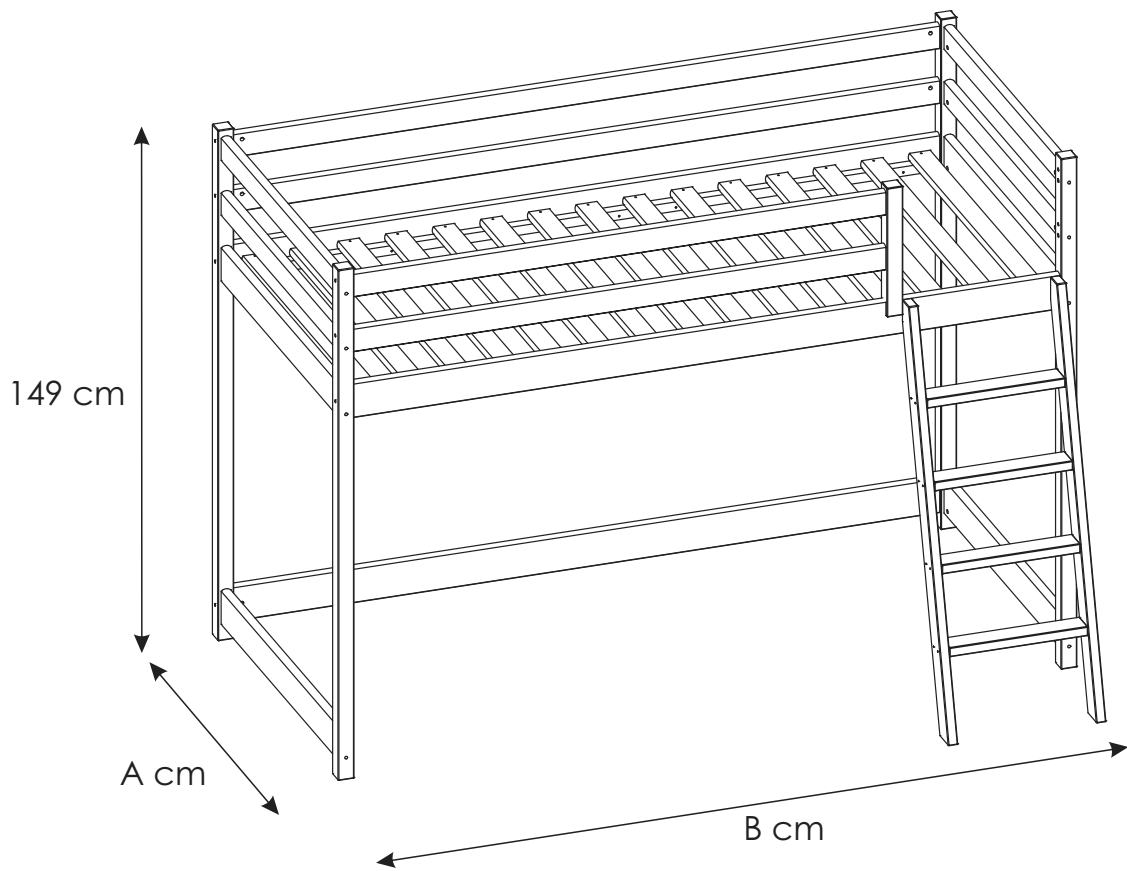
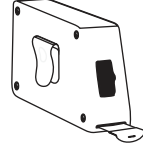
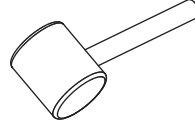
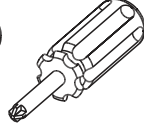
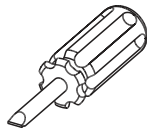
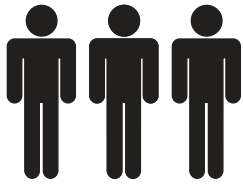
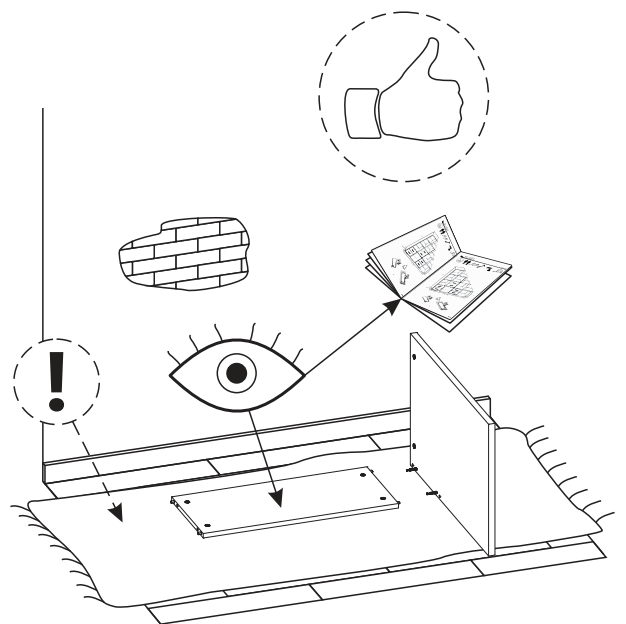
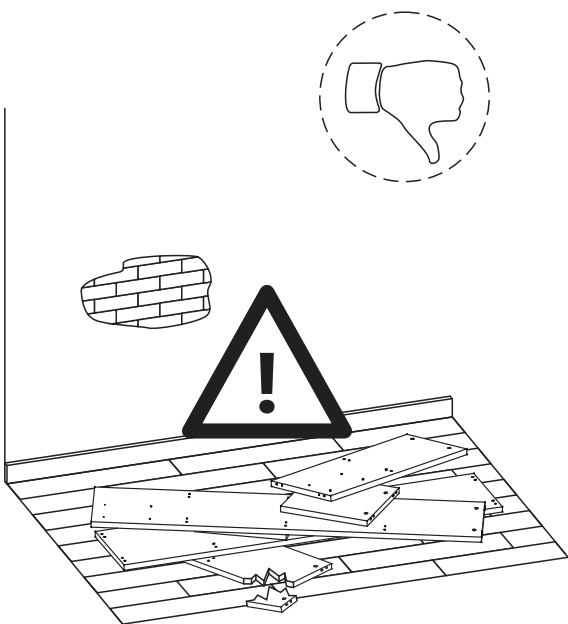
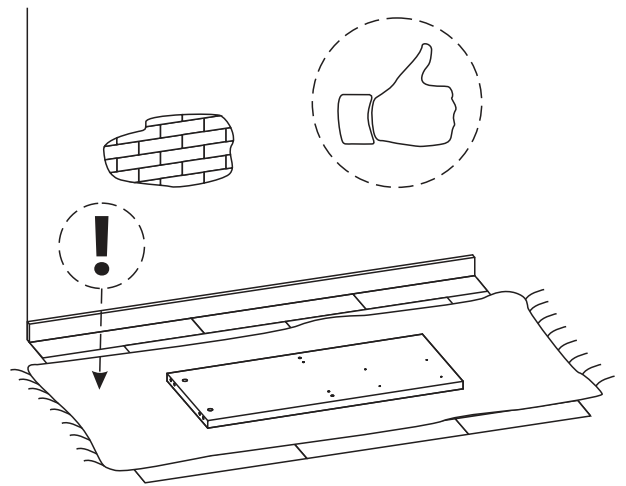
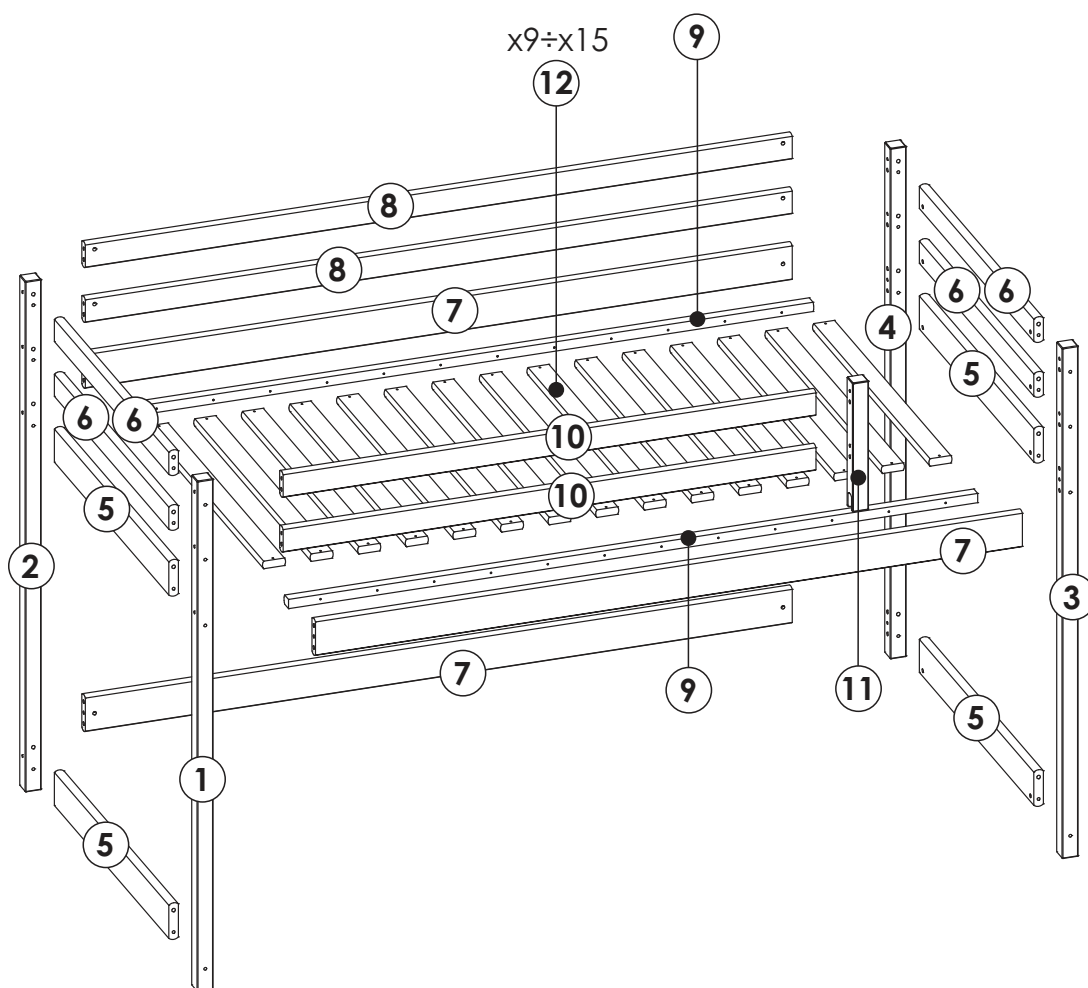
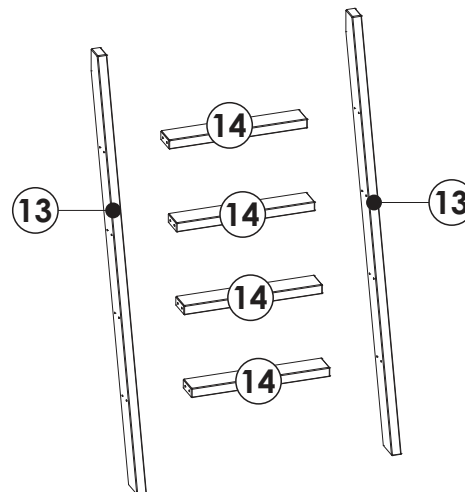
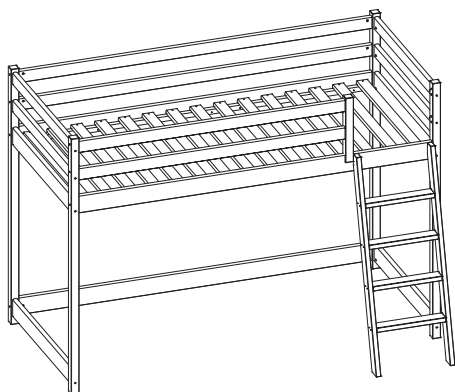


MACIEK





MACIEK



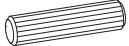





MACIEK

NPL 1	1490	45	45	x1	MANPL_02200
NTL 2	1490	45	45	x1	MANTL_02210
NPP 3	1490	45	45	x1	MANPP_02230
NTP 4	1490	45	45	x1	MANTP_02220
DST 5	585,685,785,885,985	107	27	x4	DST_00120
DW 6	585,685,785,885,985	75	27	x4	DW75_00930
DN 7	1190,1390,1590,1690,1790,1890,1990	107	27	x3	DN_00110
DW 8	1190,1390,1590,1690,1790,1890,1990	75	27	x2	DW75_00930
LS 9	1140,1340,1540,1640,1740,1840,1940	35	27	x2	LS_00160
DW 10	700, 900,1100,1200,1300,1400,1500	75	27	x2	DW75_00930
WDW 11	376	45	45	x1	WPDW_02240
DDS 13	1200	65	27	x2	DDS_00500
DSS 14	390	65	27	x4	DSS_00210


OPTION

DS 12	B=2000	600, 700, 800, 900, 1000	65	22	x15	DS_00170
	B=1900				x14	
	B=1800				x13	
	B=1700				x13	
	B=1600				x12	
	B=1400				x10	
	B=1200				x9	

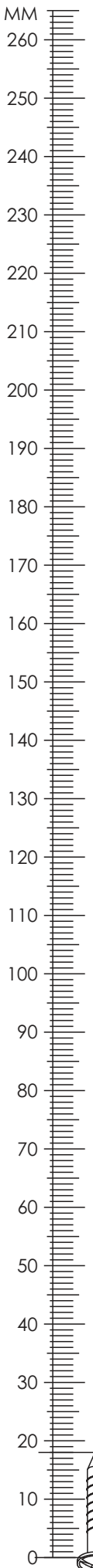
MACIEK

<p>A2 akc_0002</p>  <p>10 x 40 mm</p> <p style="text-align: right;">x36</p>	<p>K1 akc_0004</p>  <p>6,4 x 50 mm</p> <p style="text-align: right;">x16</p>	<p>M akc_0005</p>  <p style="text-align: right;">x1</p>
<p>N1 akc_0006</p>  <p>6 x 80 mm</p> <p style="text-align: right;">x30</p>	<p>S1 akc_0008</p>  <p>10 x 16 mm</p> <p style="text-align: right;">x30</p>	<p>W4 akc_0012</p>  <p>4 x 60 mm</p> <p style="text-align: right;">x2</p>

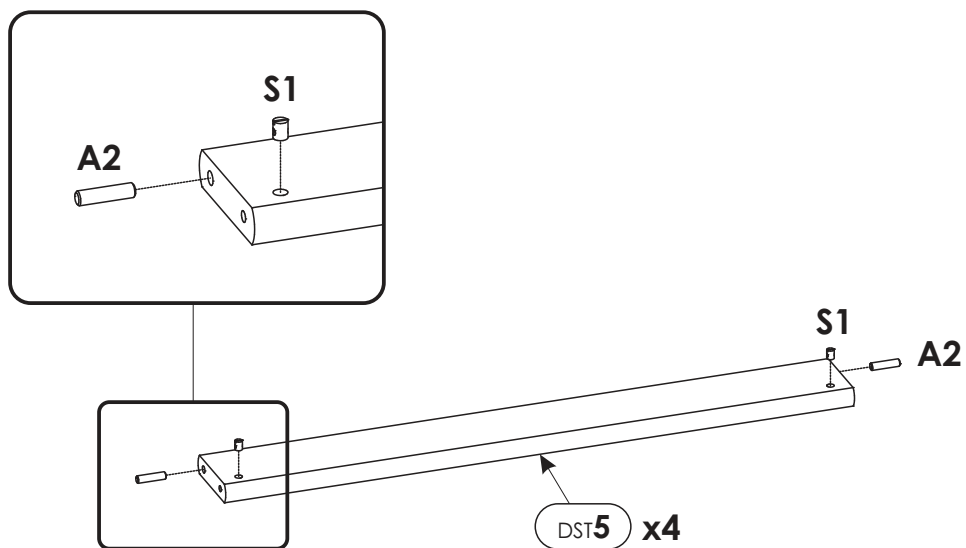
----- **OPTION** -----

<p>W1 akc_0009</p>  <p>3,5 x 40 mm</p> <p style="text-align: right;">18 < x < 30</p>

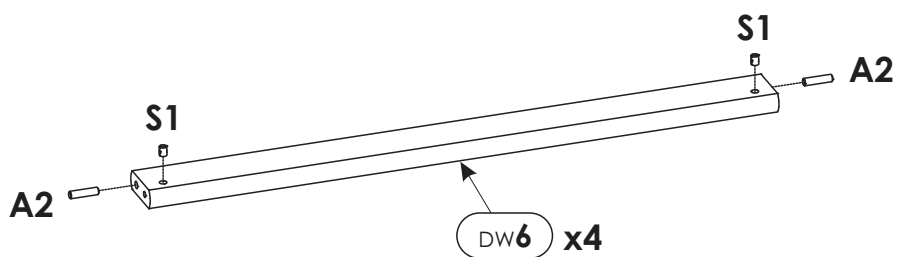
<p>W3 akc_0011</p>  <p>4 x 50 mm</p> <p style="text-align: right;">20 < x < 24</p>



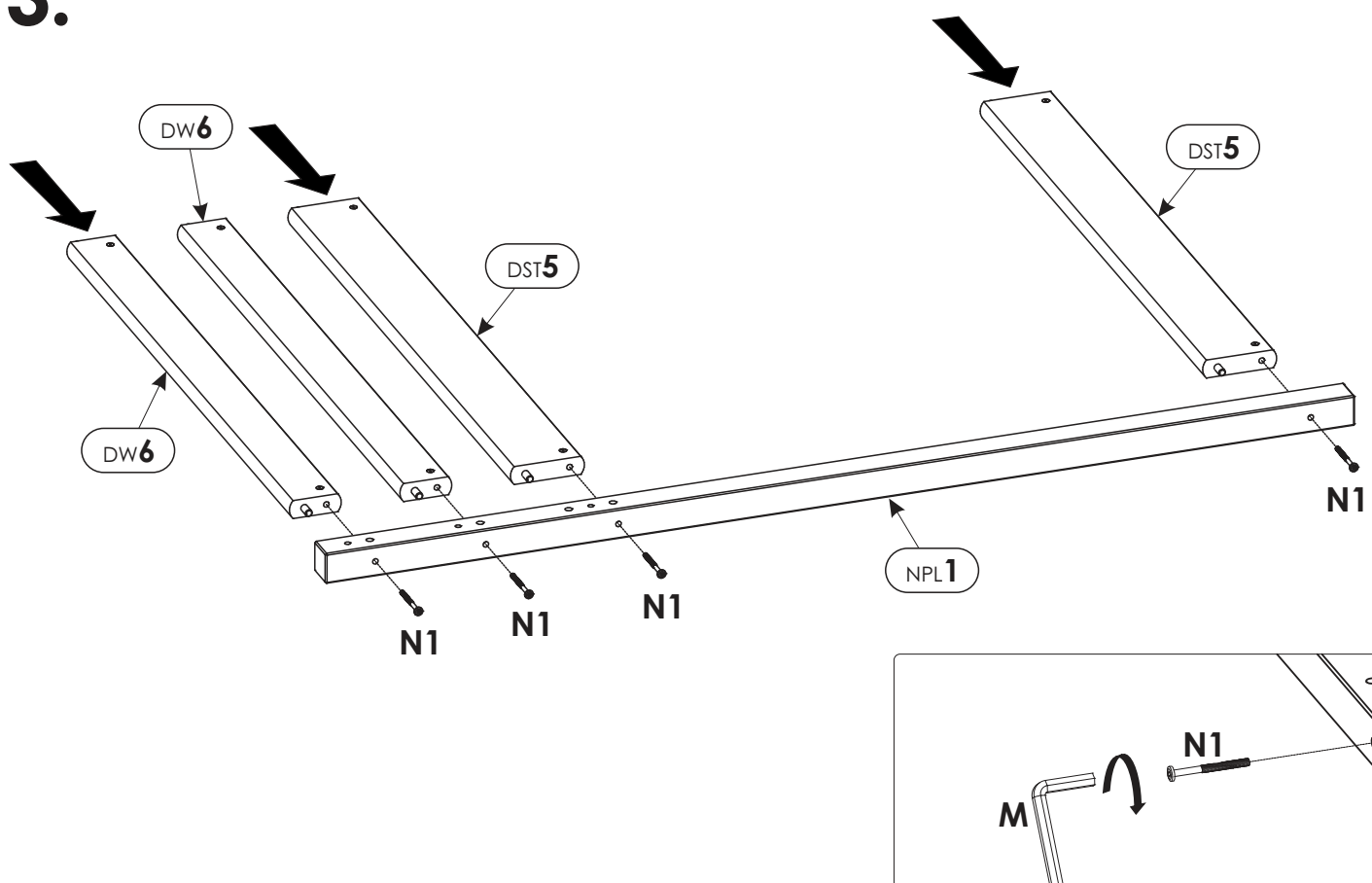
1.



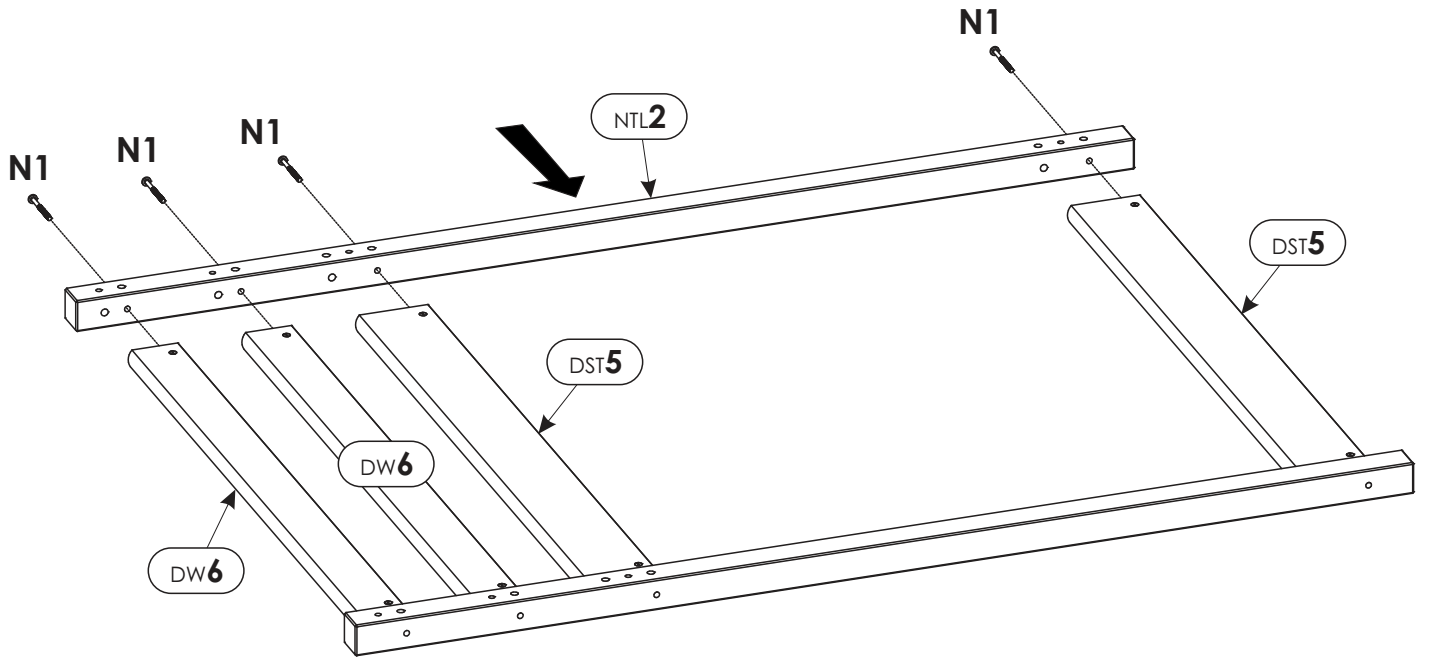
2.



3.

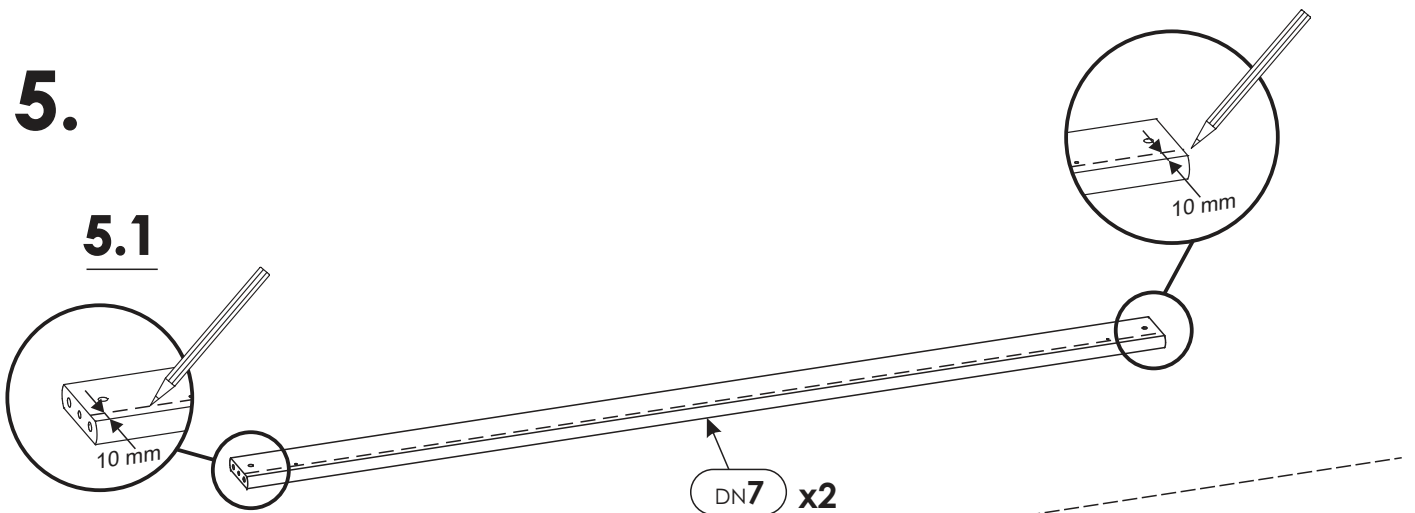


4.

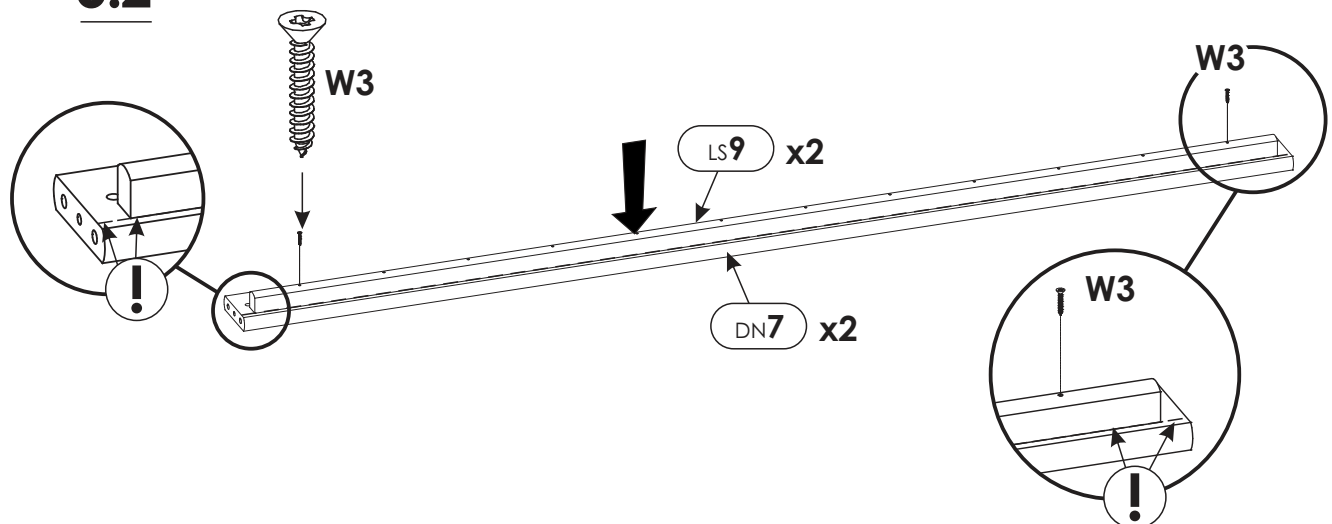


5.

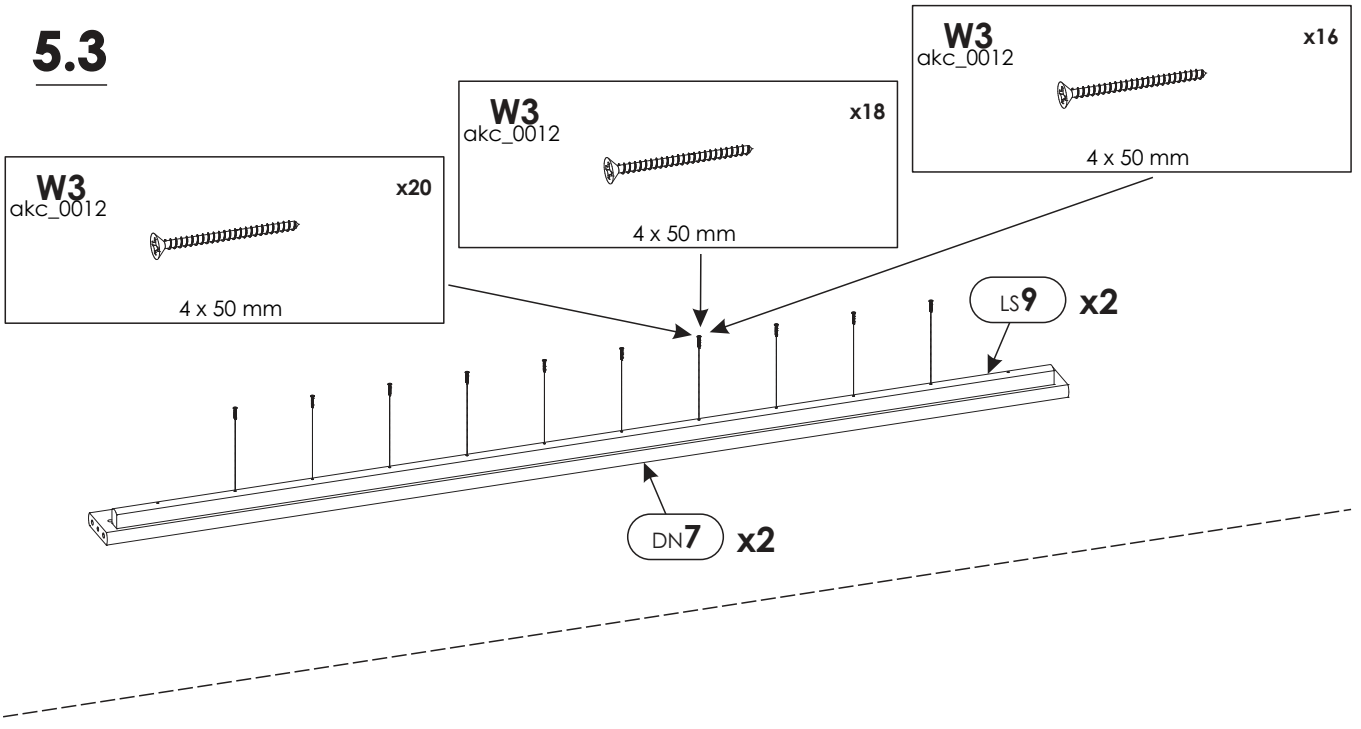
5.1



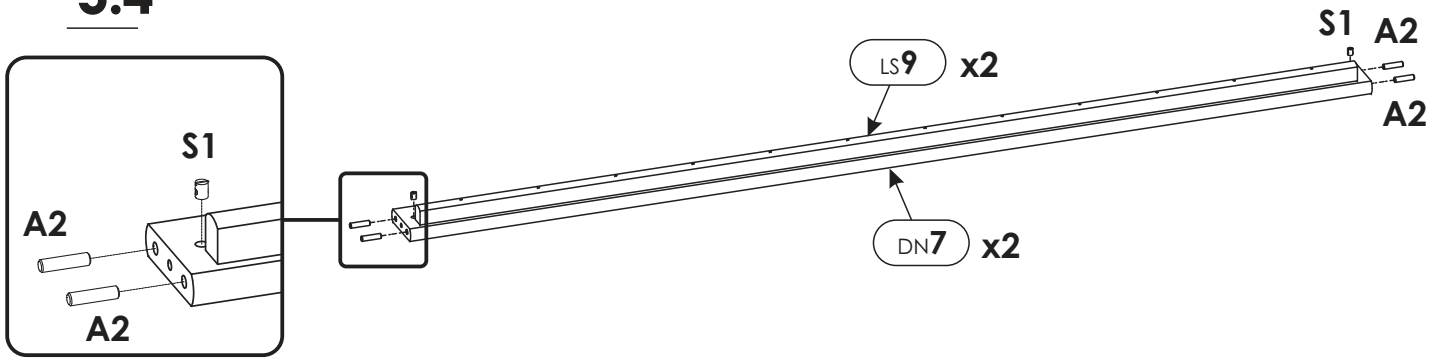
5.2



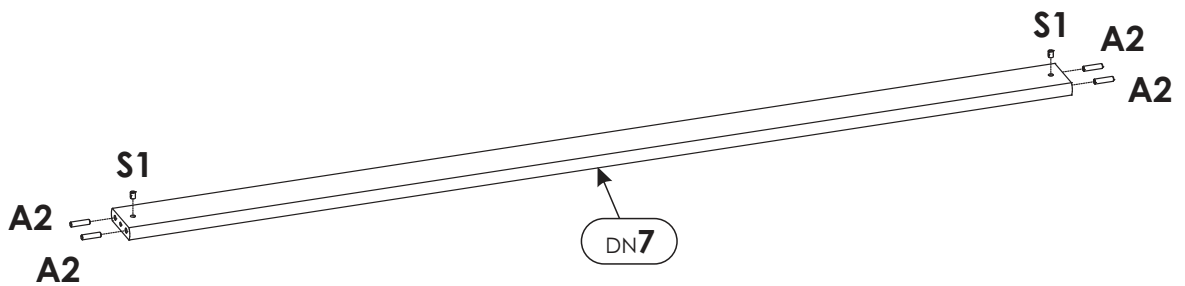
5.3



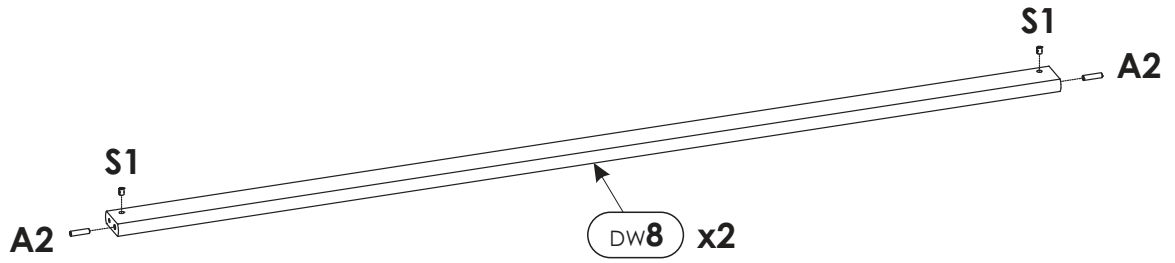
5.4



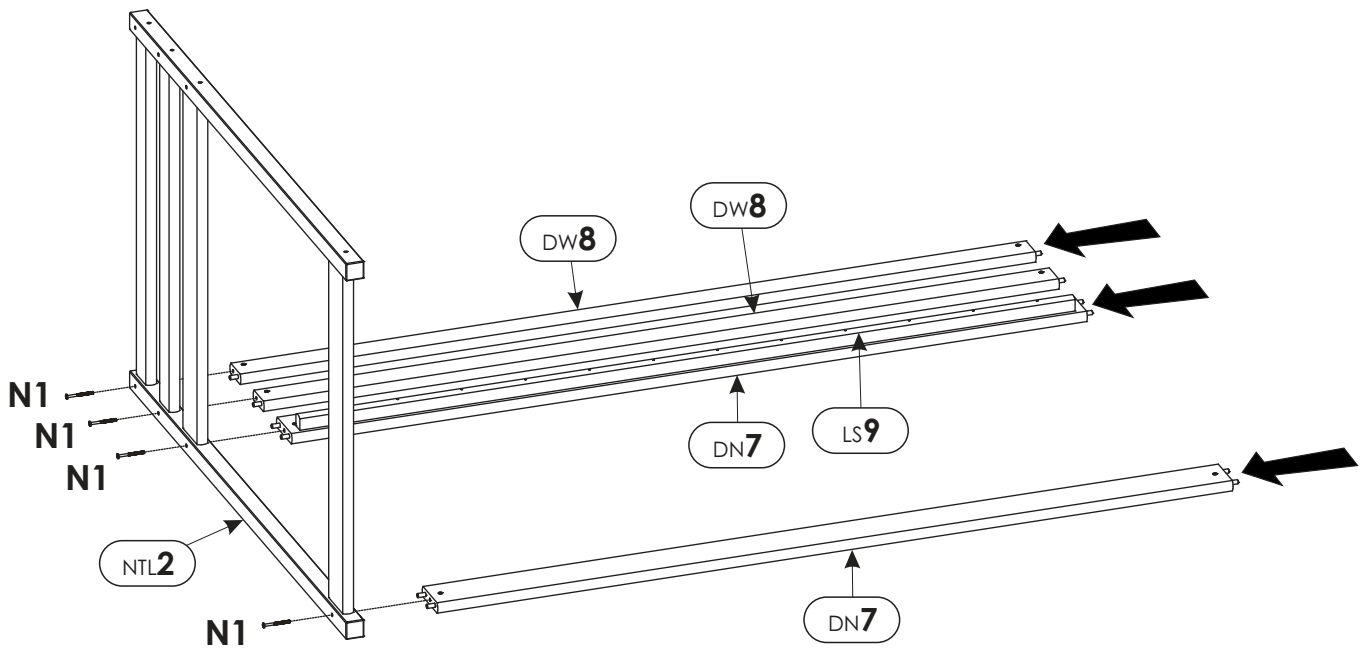
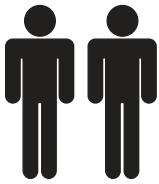
6.



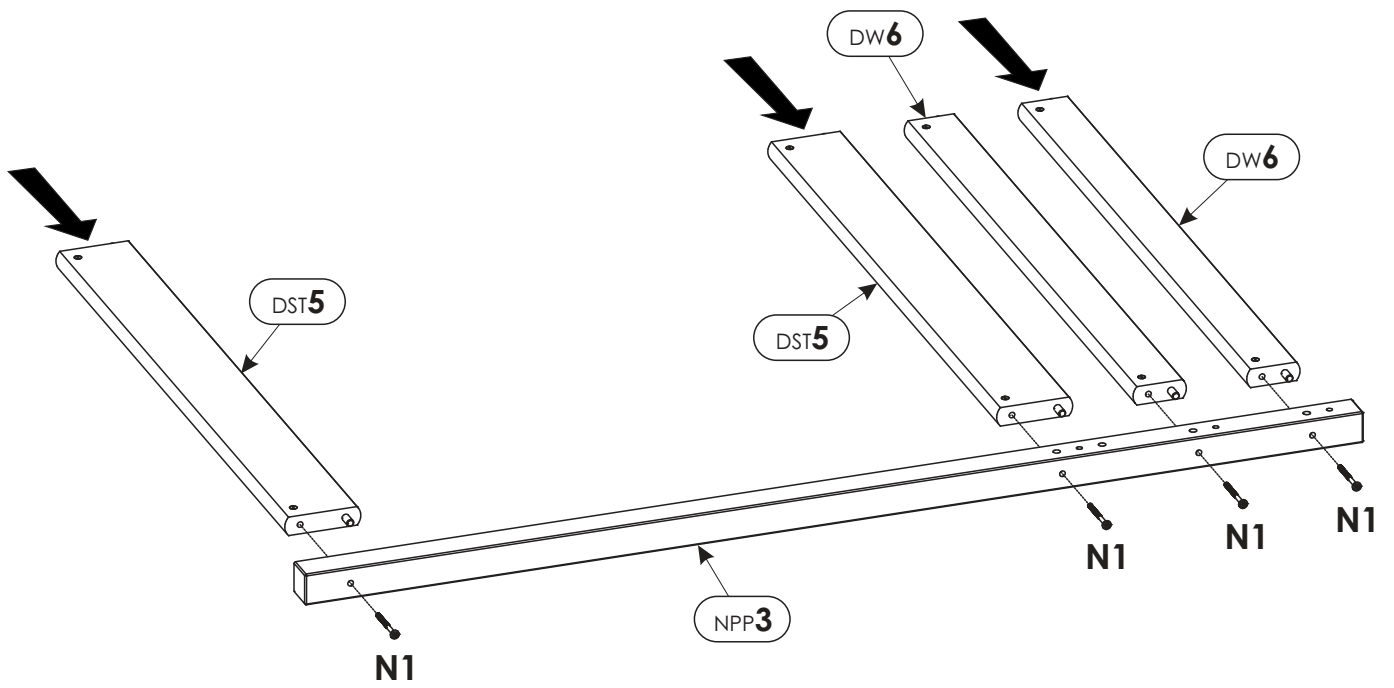
7.



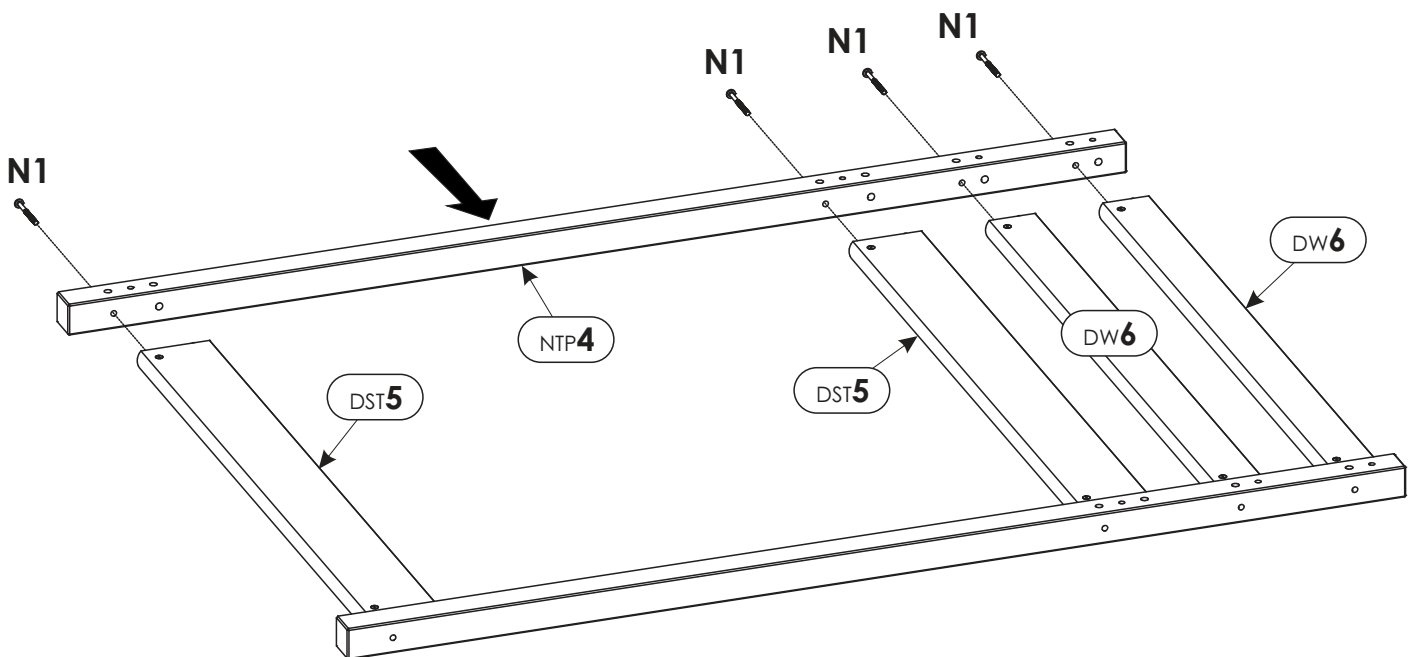
8.



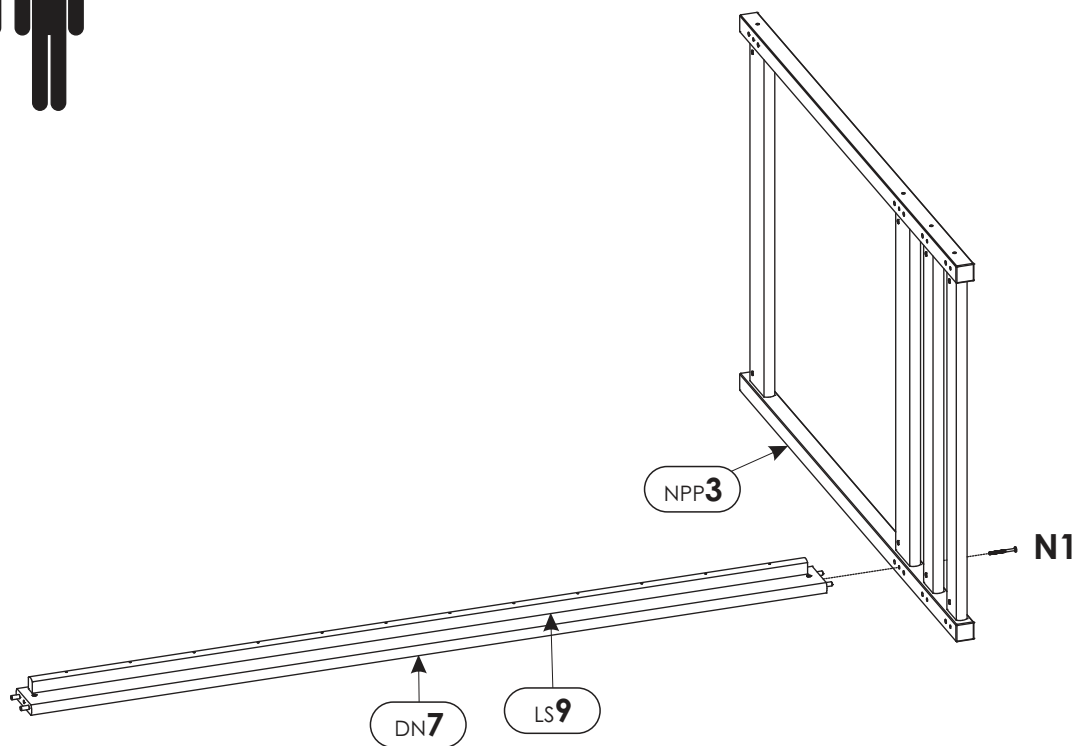
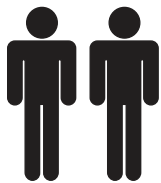
9.



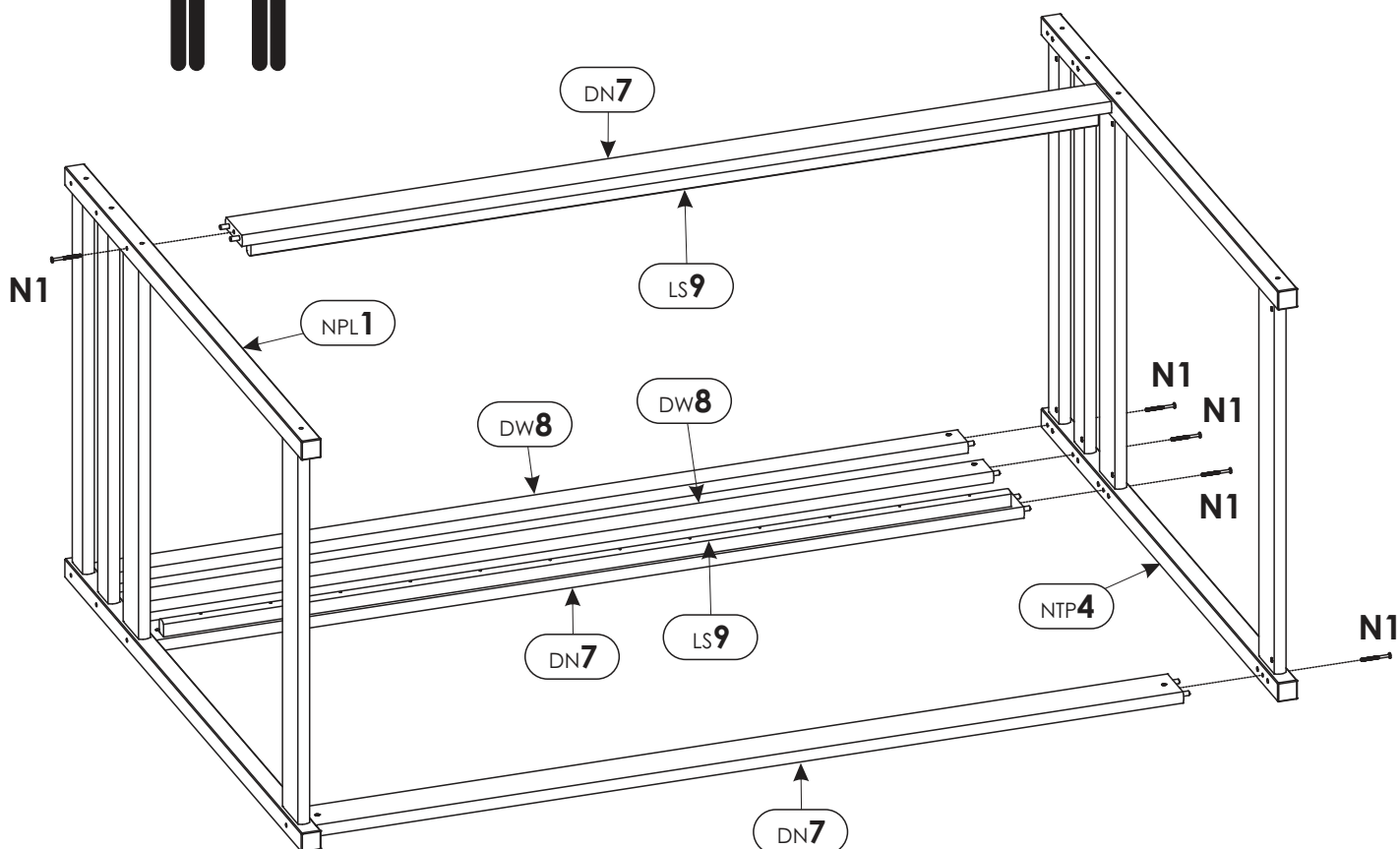
10.



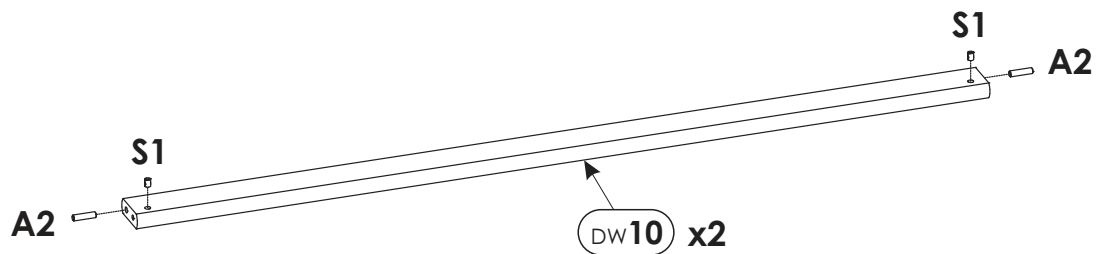
11.



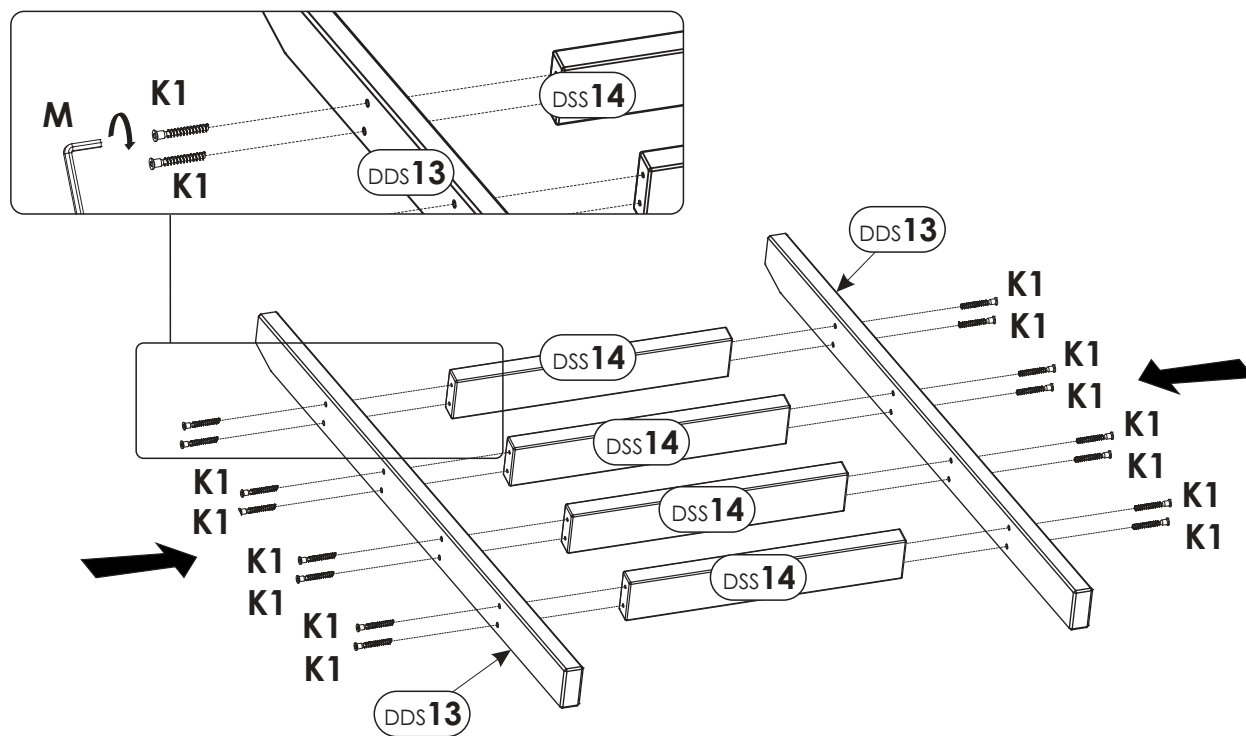
12.

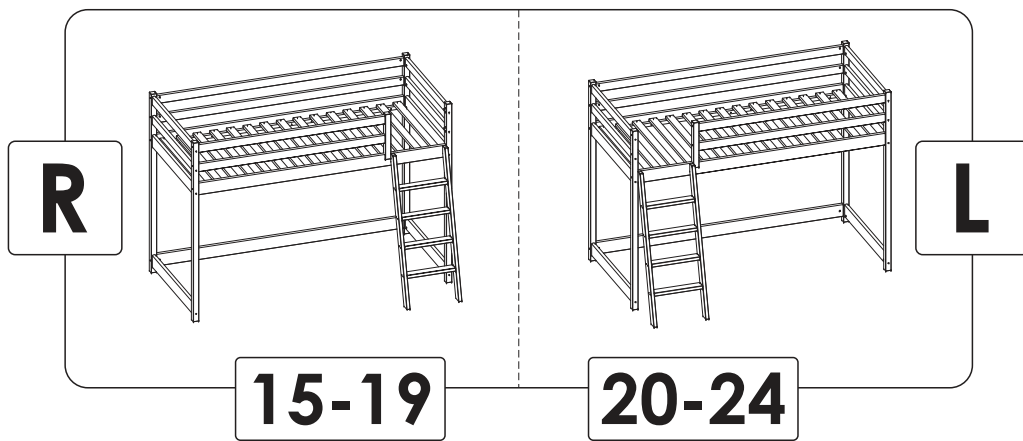


13.

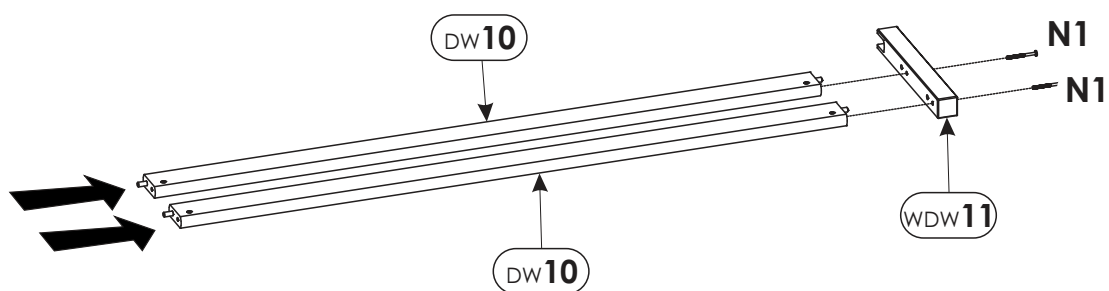


14.

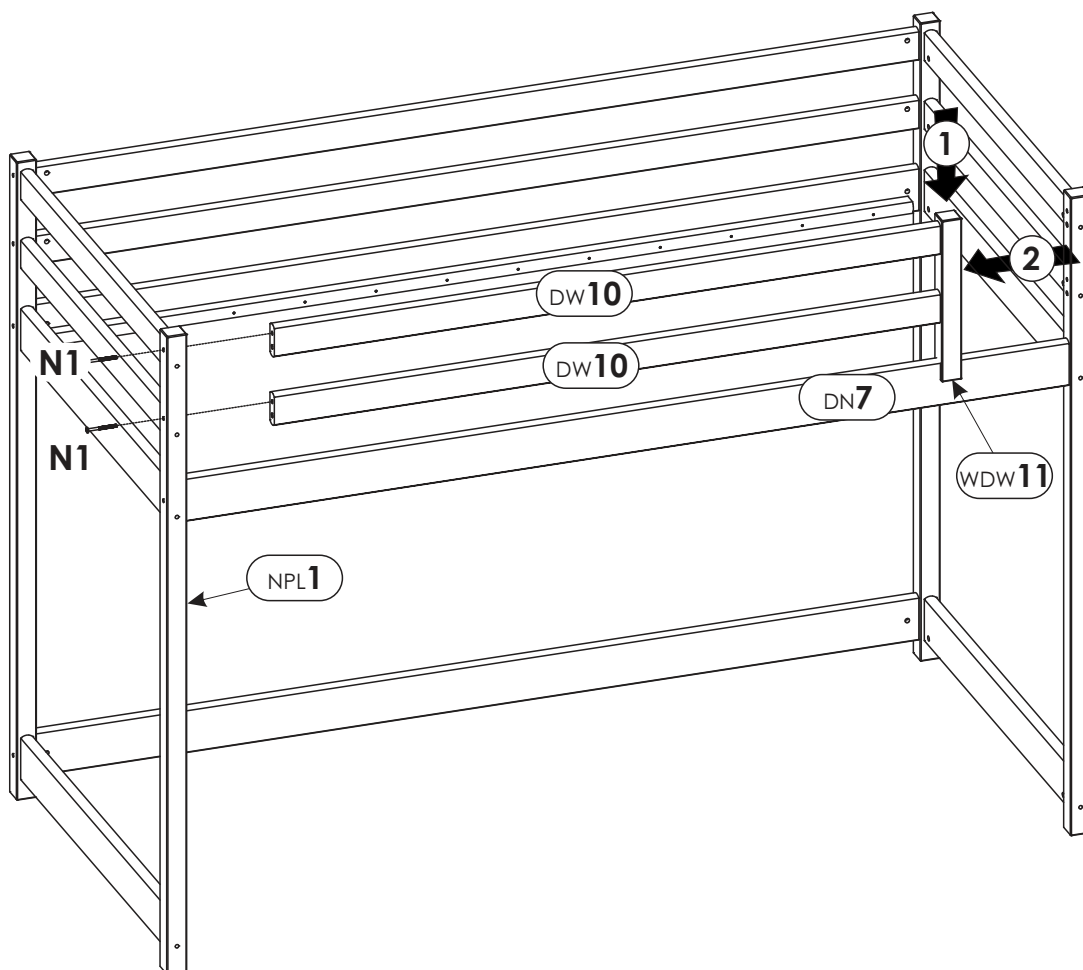




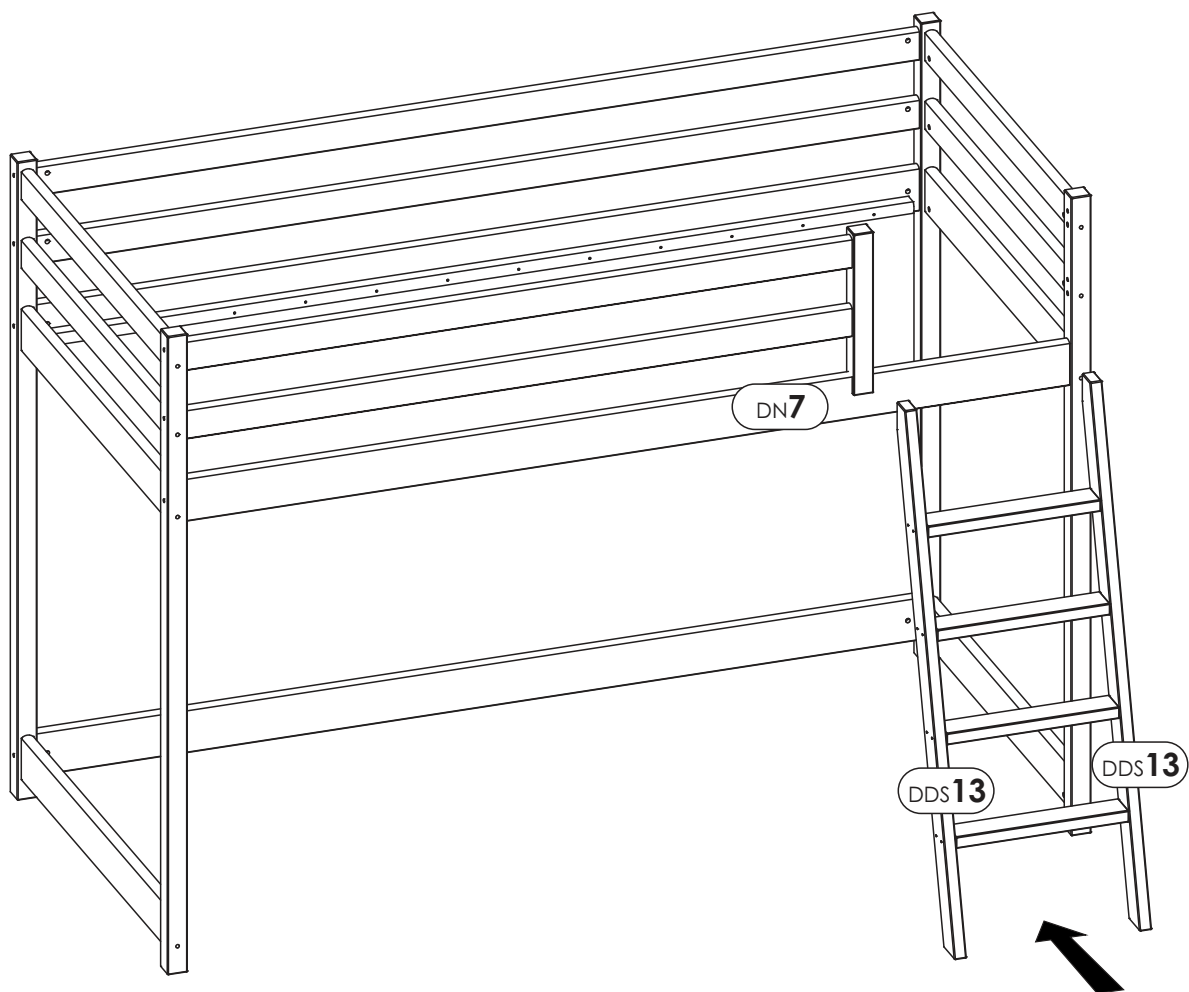
15.



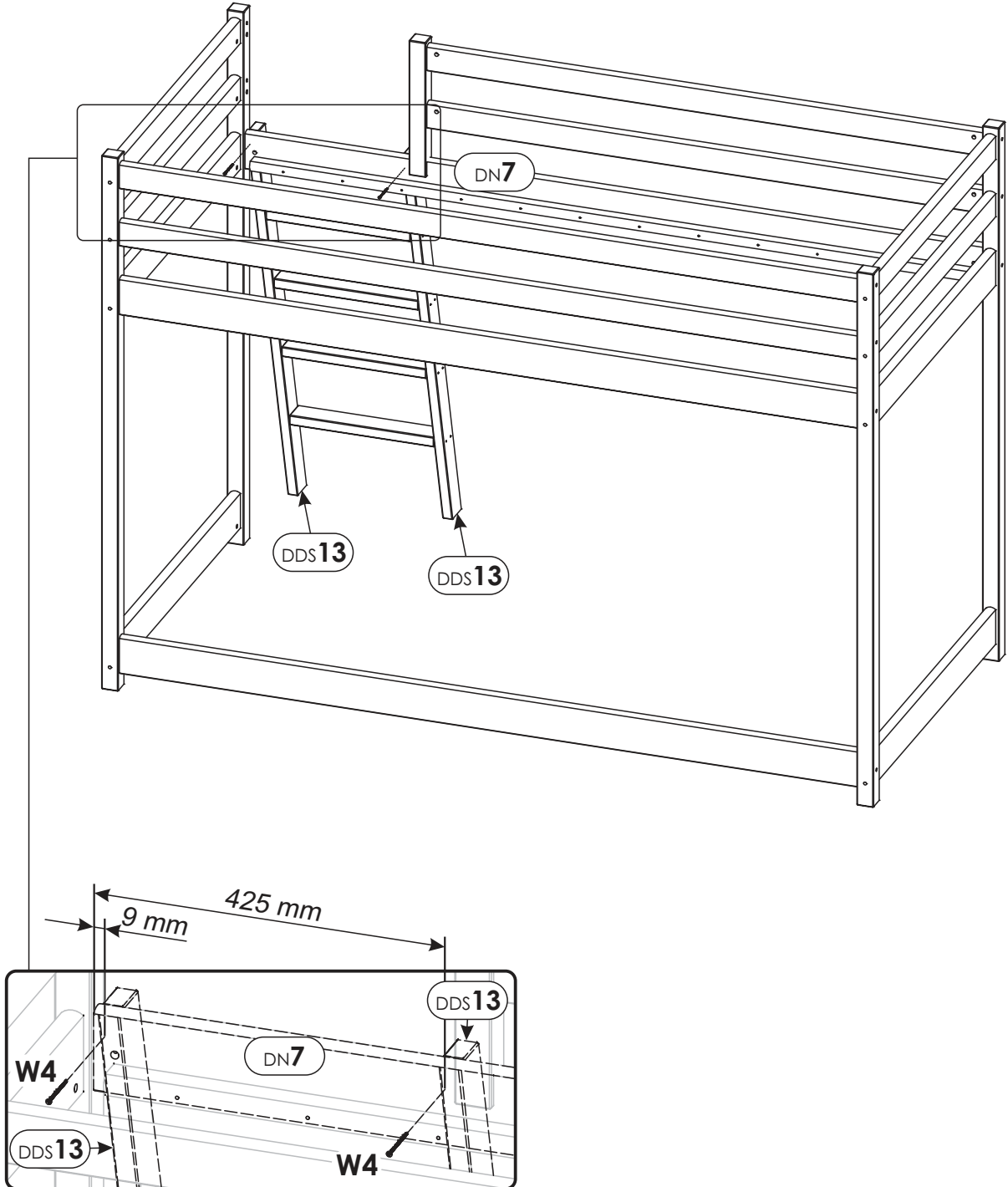
16.



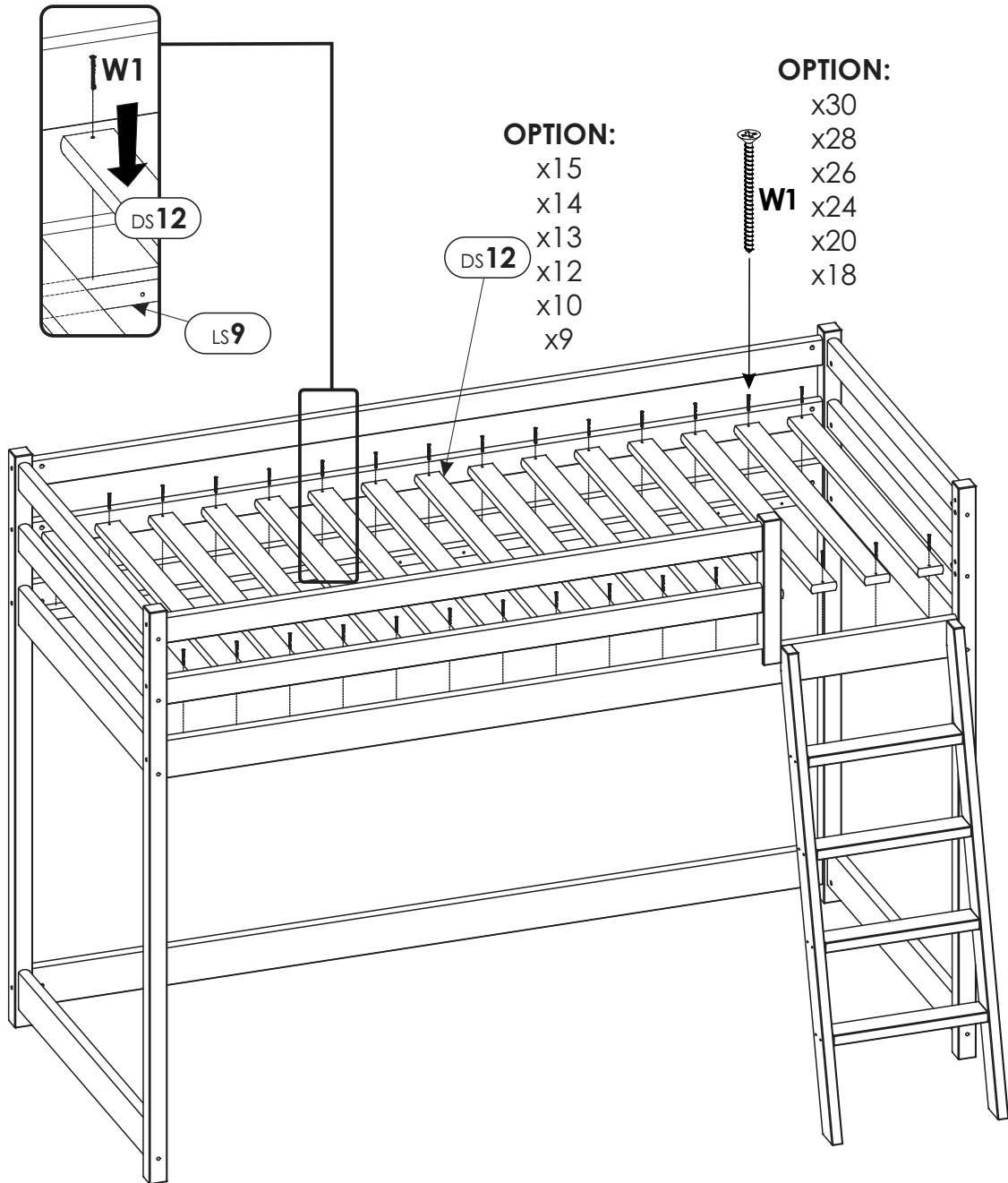
17.

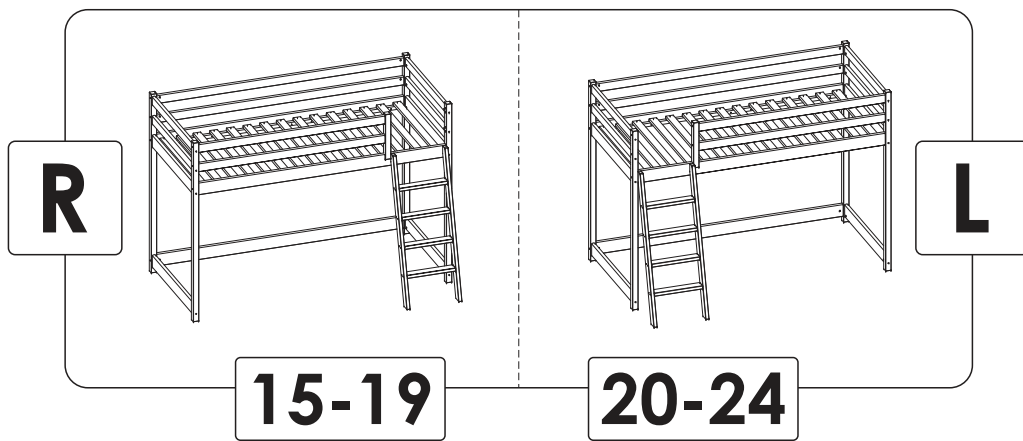


18.

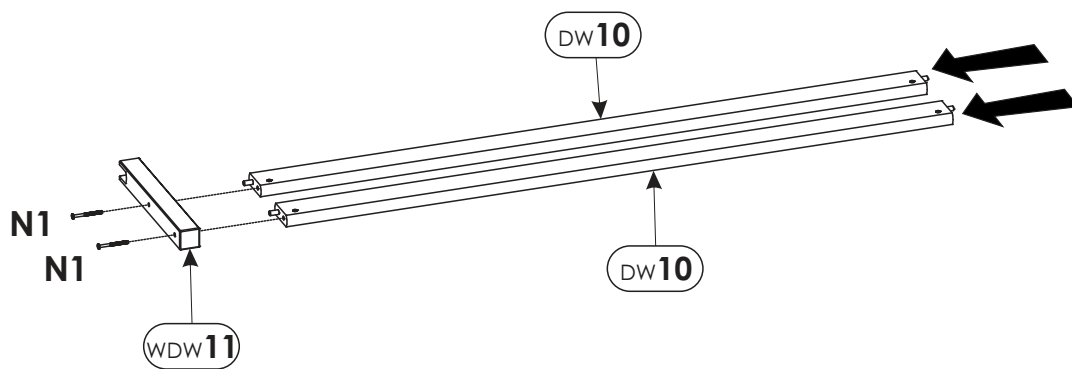


19.

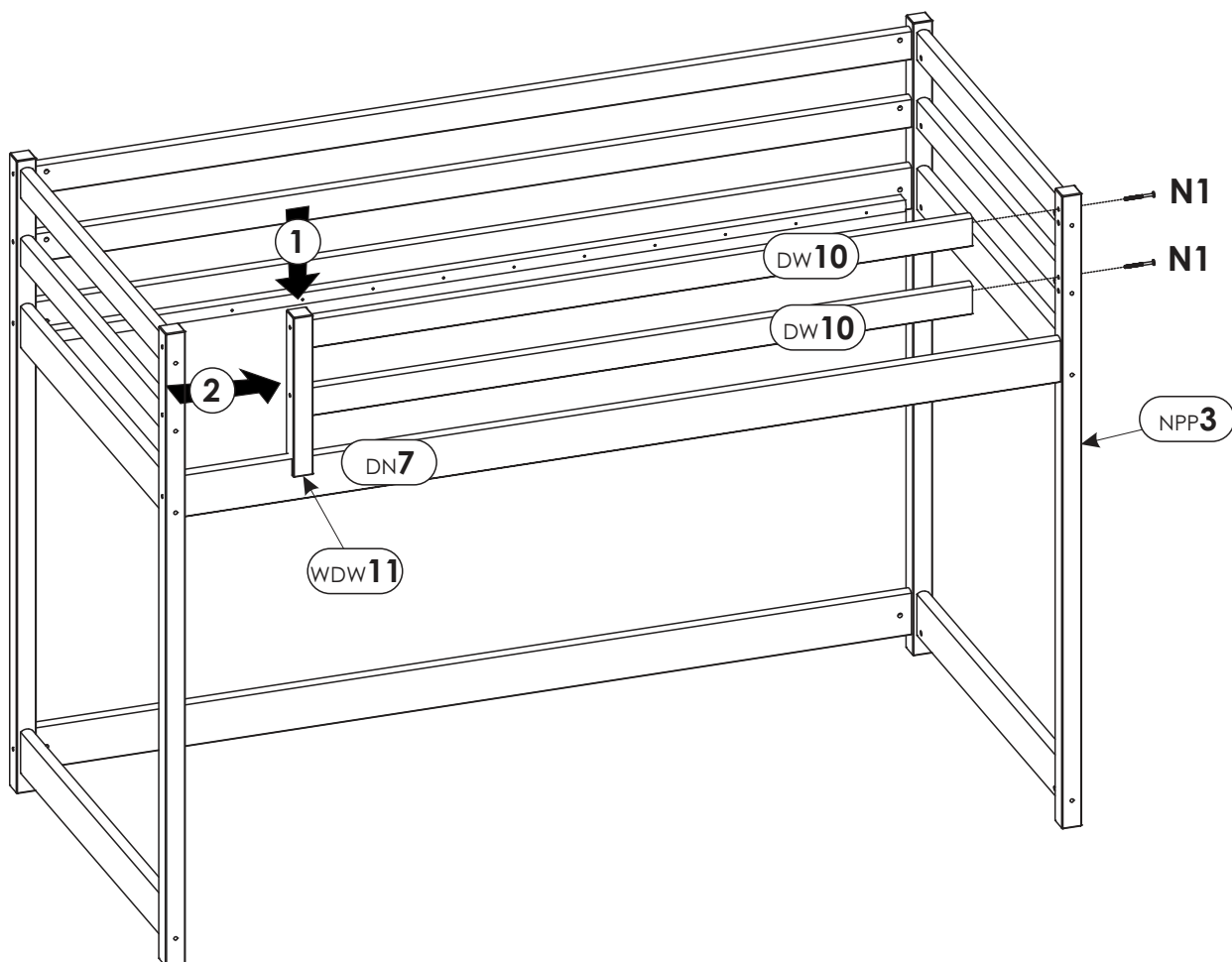




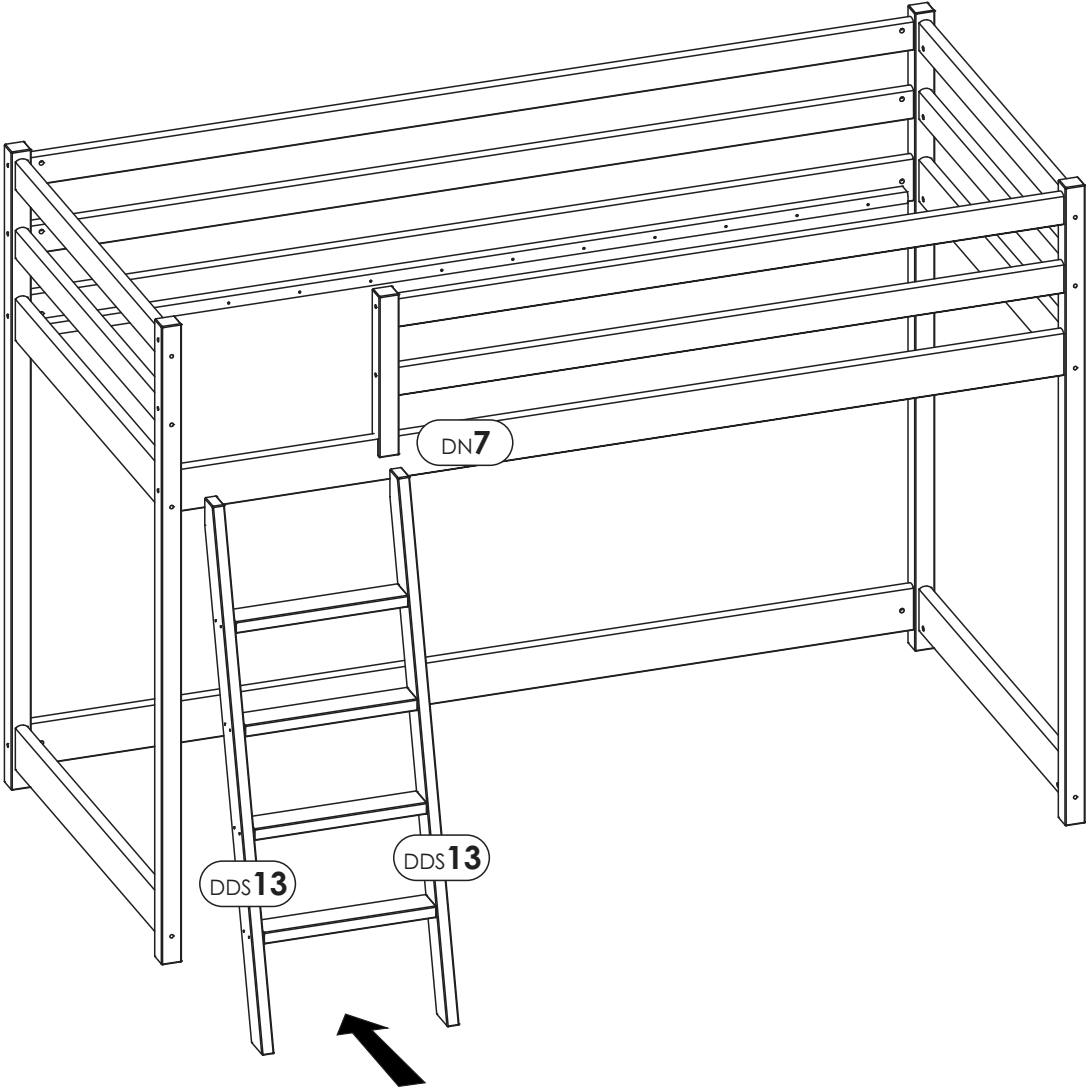
20.



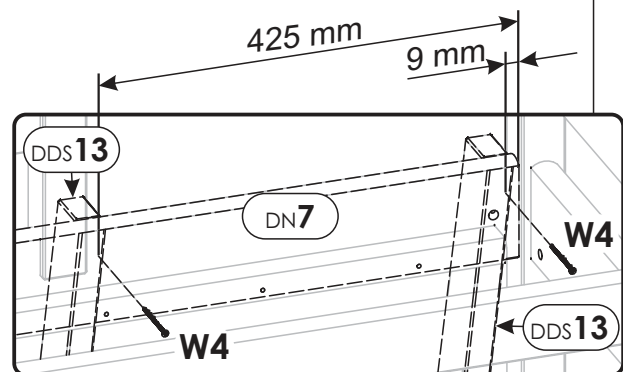
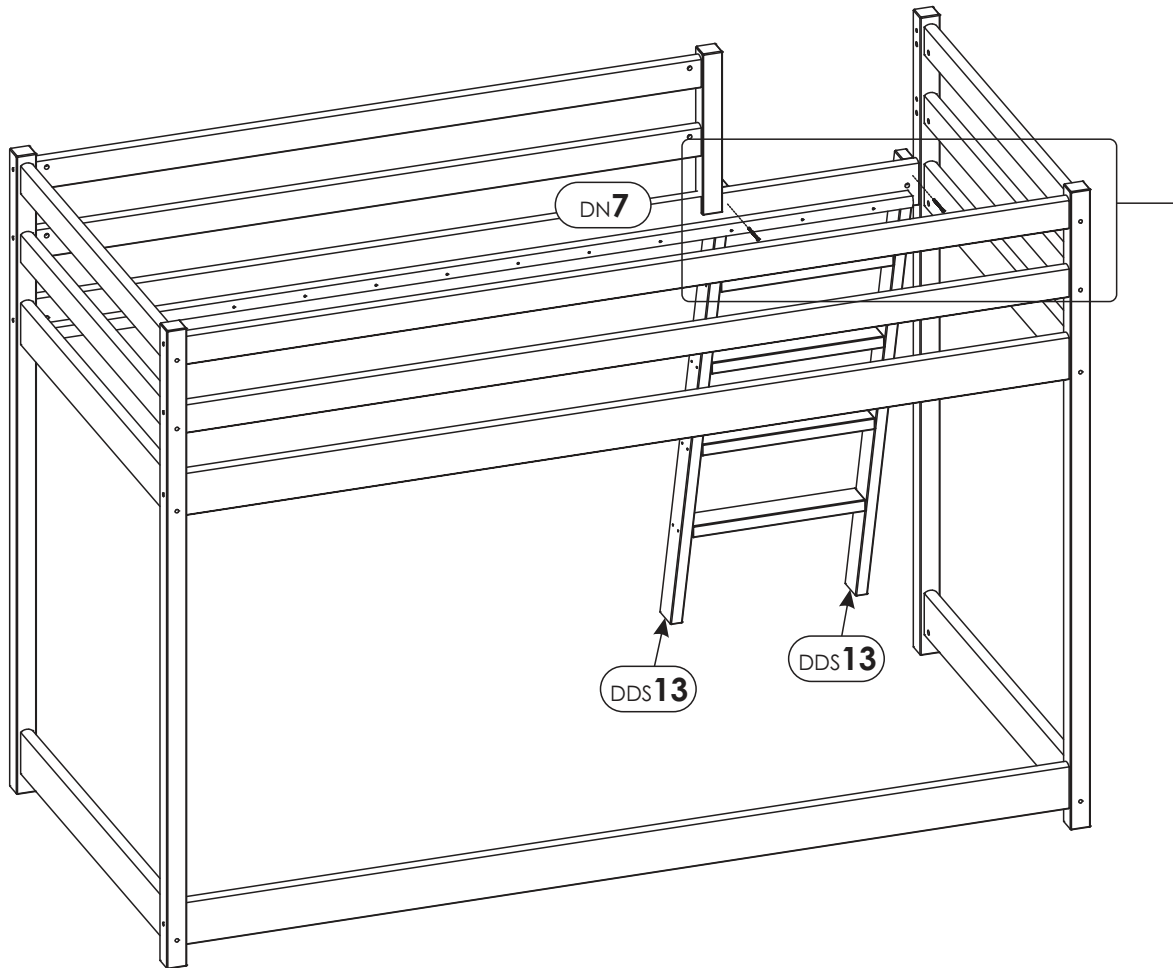
21.



22.



23.



24.

