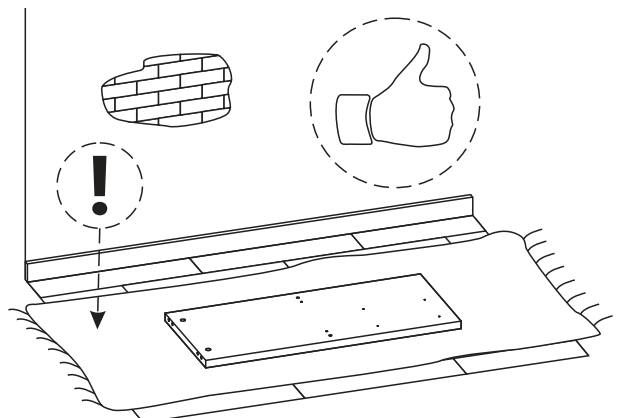
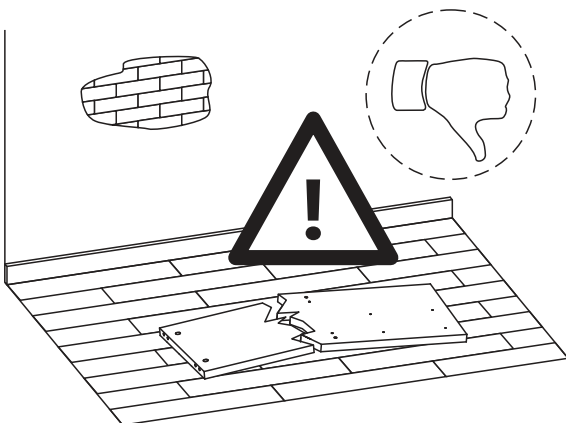
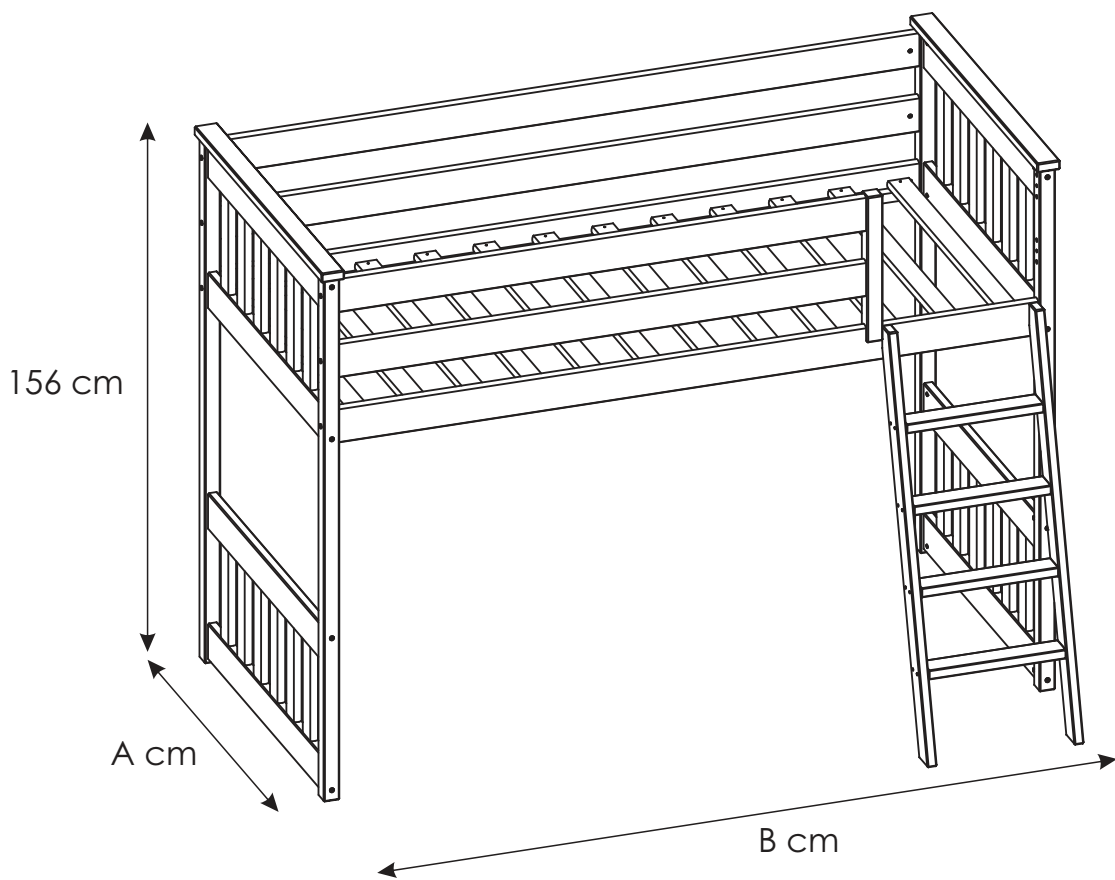
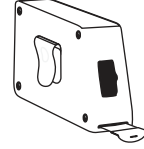
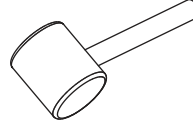
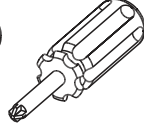
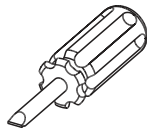
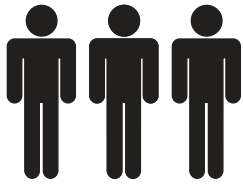
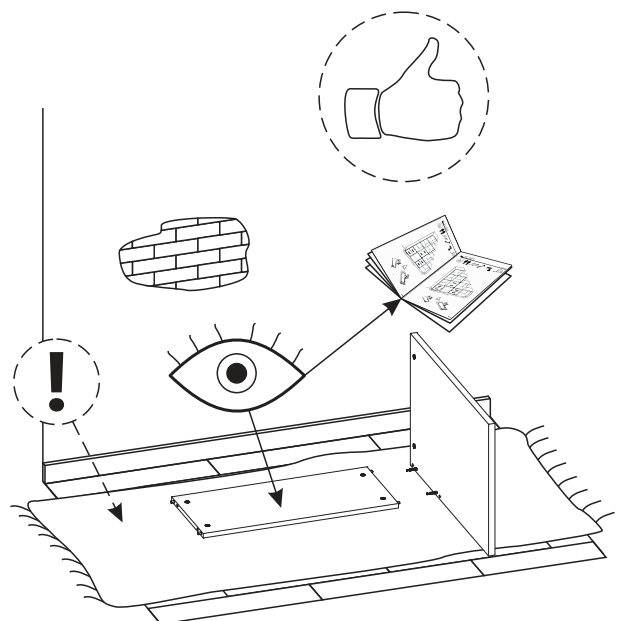
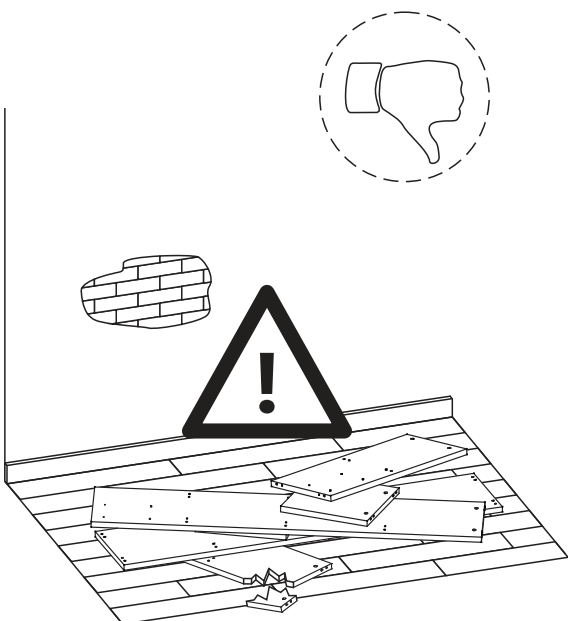
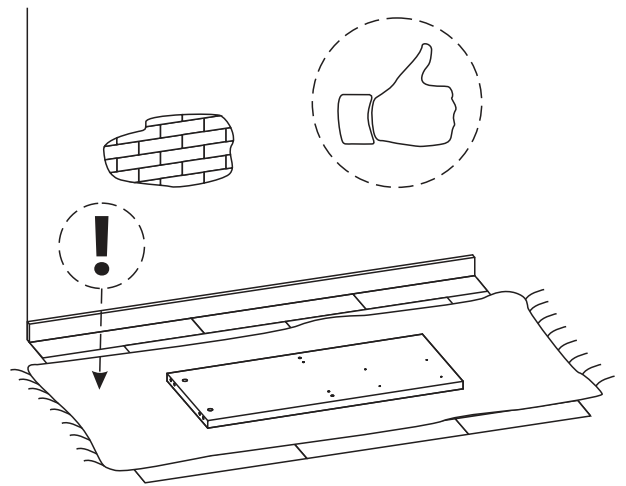
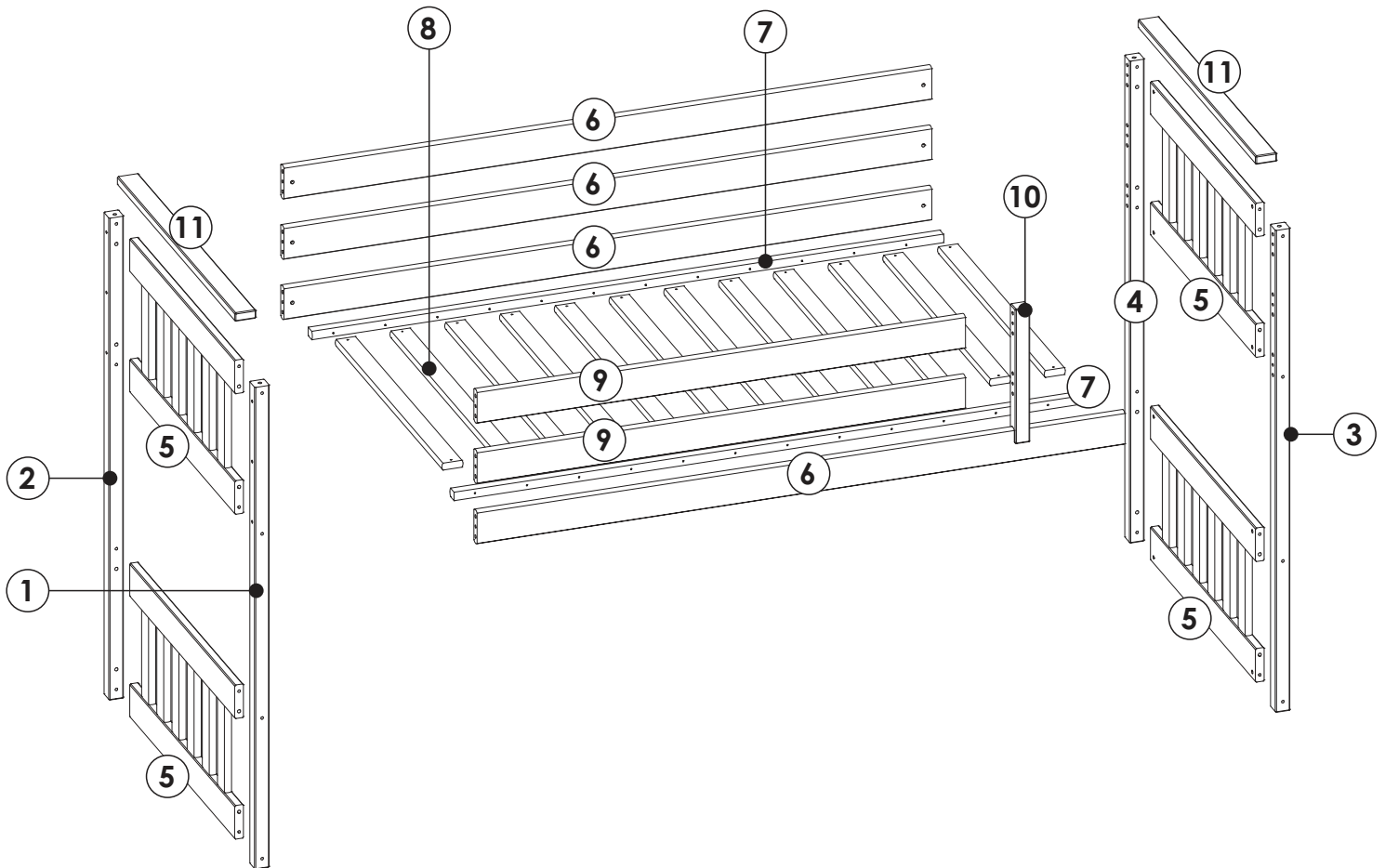
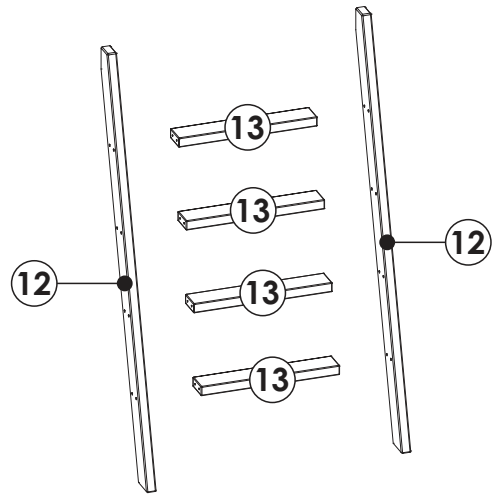
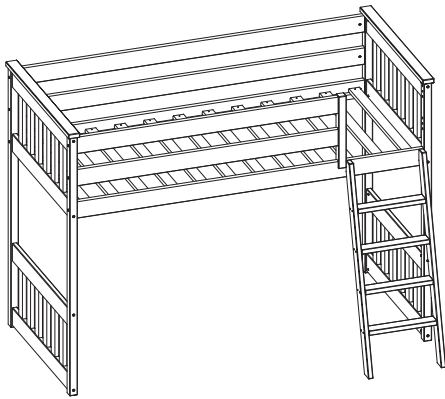


WOJTEK





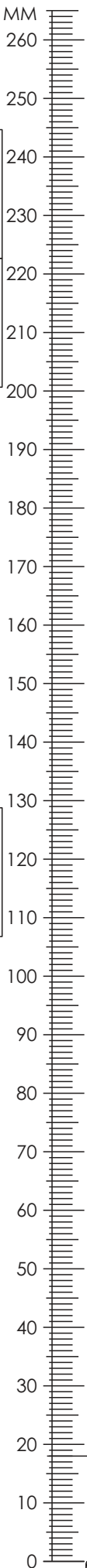
WOJTEK

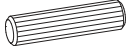




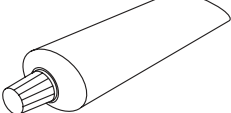



WOJTEK


PL 1	1536	45	45	x1	WNPL_00560
TL 2	1536	45	45	x1	WNTL_00580
PP 3	1536	45	45	x1	WNPP_00570
TP 4	1536	45	45	x1	WNTP_00590
PP 5	685, 785, 885	491	27	x4	DP_00480 PS_00470
DN 6	1390,1590, 1690,1790, 1890, 1990	107	27	x4	DN_00110
LS 7	1340,1540, 1640,1740, 1840, 1940	35	27	x2	LS_00160
DN 9	900, 1100, 1200, 1300, 1400, 1500	107	27	x2	DN_00110
WDS 10	429	45	45	x1	WDDS_00550
P 11	985	55	27	x2	P_00490
DDS 12	1199	65	27	x2	DDS_00500
DSS 13	390	65	27	x4	DSS_00210

WOJTEK



<p>A2 akc_0002</p>  <p>10 x 40 mm</p> <p style="text-align: right;">x44</p>	<p>K1 akc_0004</p>  <p>6,4 x 50 mm</p> <p style="text-align: right;">x16</p>	<p>M akc_0005</p>  <p style="text-align: right;">x1</p>
<p>N1 akc_0006</p>  <p>6 x 80 mm</p> <p style="text-align: right;">x28</p>	<p>S1 akc_0008</p>  <p>10 x 16 mm</p> <p style="text-align: right;">x28</p>	<p>S2 akc_0018</p>  <p style="text-align: right;">x1</p>
<p>W4 akc_0012</p>  <p>4 x 60 mm</p> <p style="text-align: right;">x2</p>		

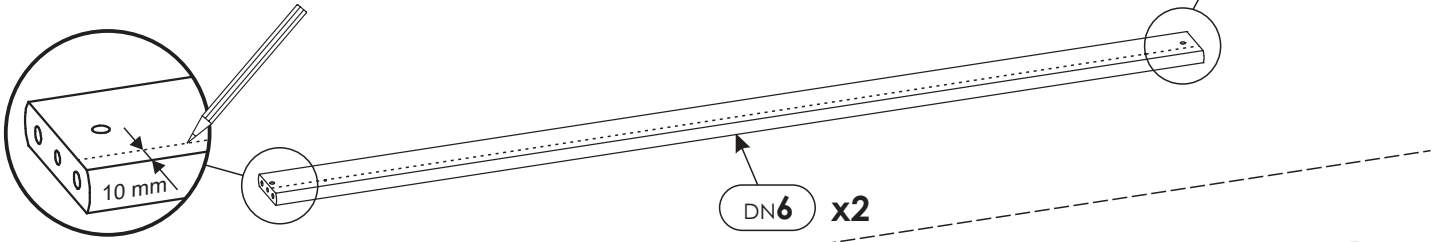
----- **OPTION** -----

<p>W1 akc_0009</p>  <p>3,5 x 40 mm</p> <p style="text-align: right;">20 < x < 30</p>

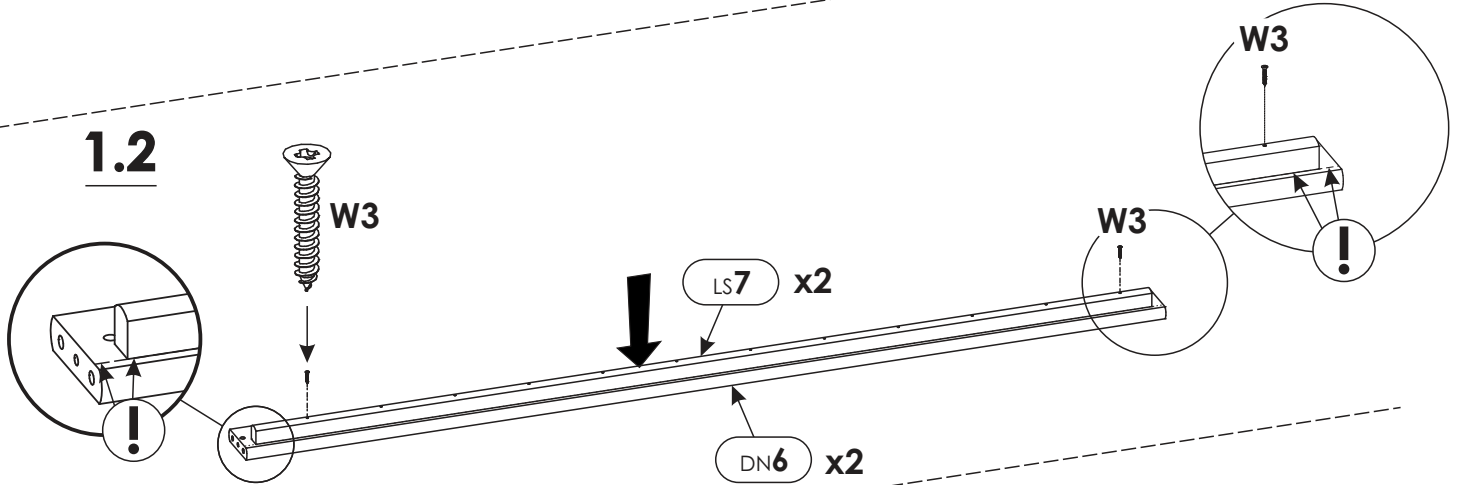
<p>W3 akc_0011</p>  <p>4 x 50 mm</p> <p style="text-align: right;">20 < x < 24</p>

1.

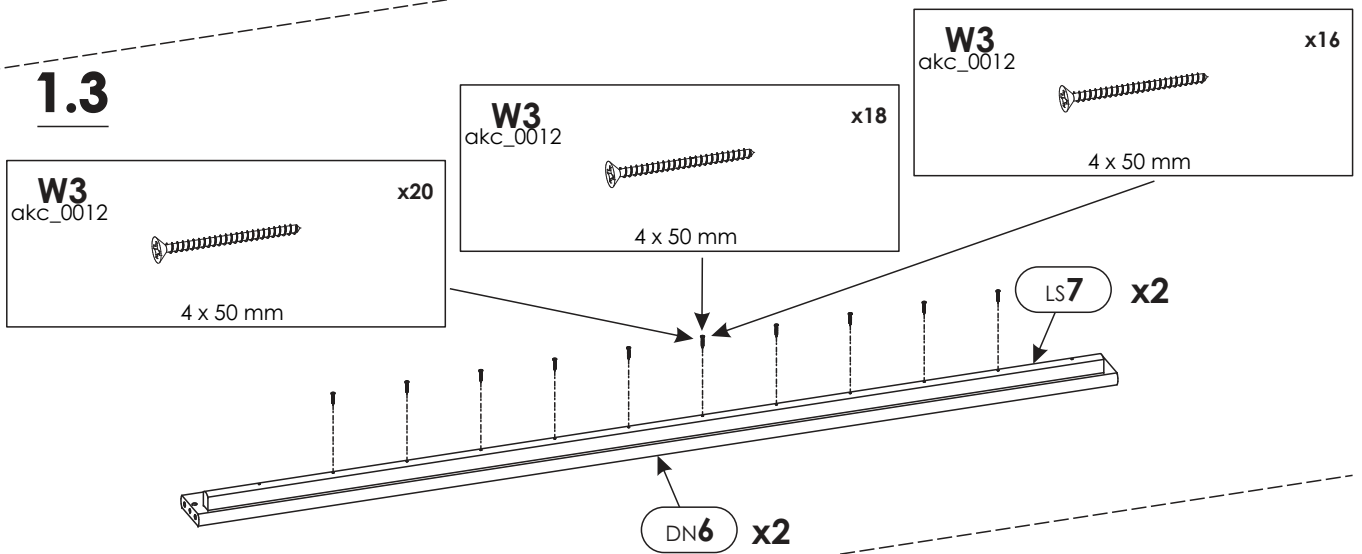
1.1



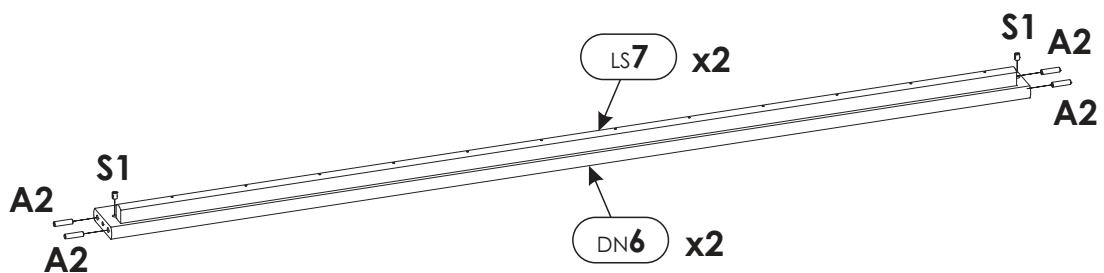
1.2



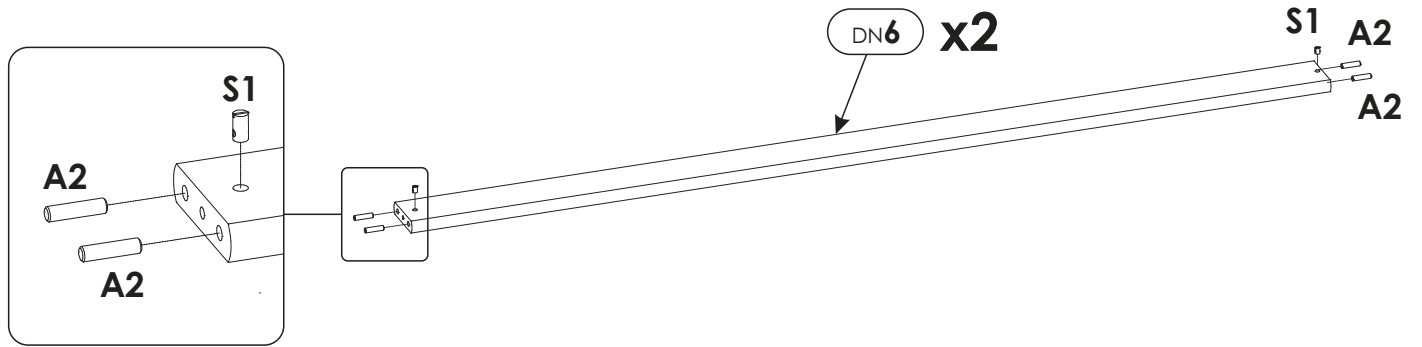
1.3



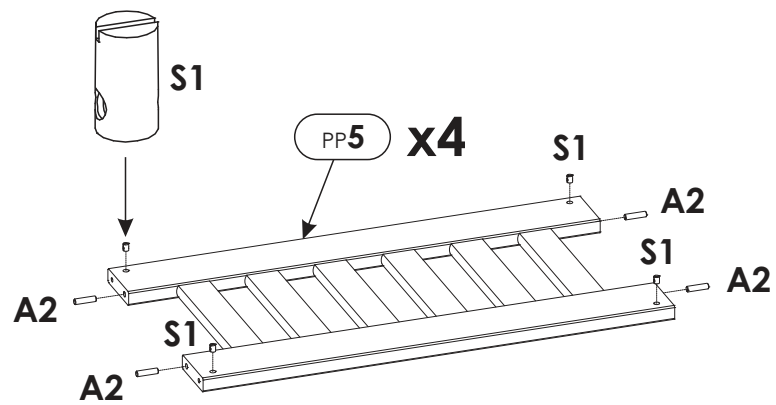
1.4



2.

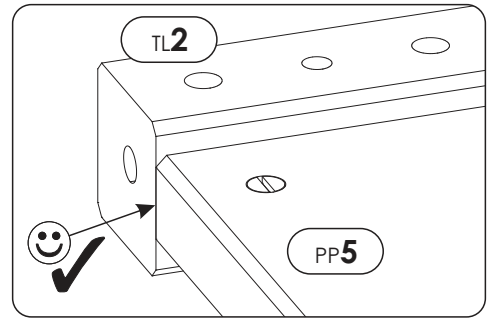
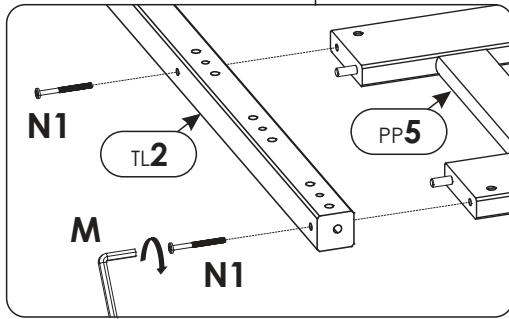
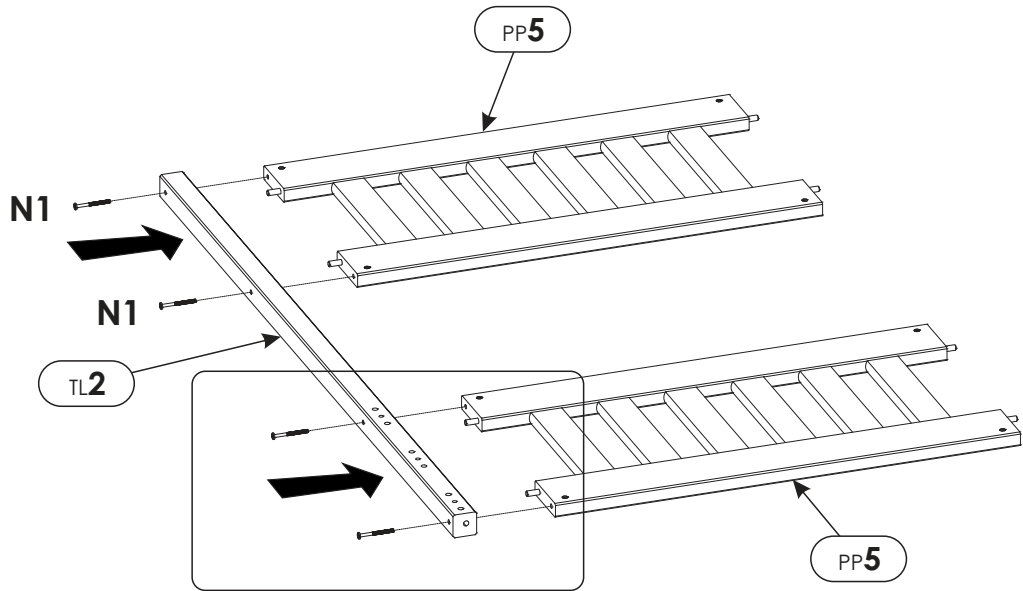


3.

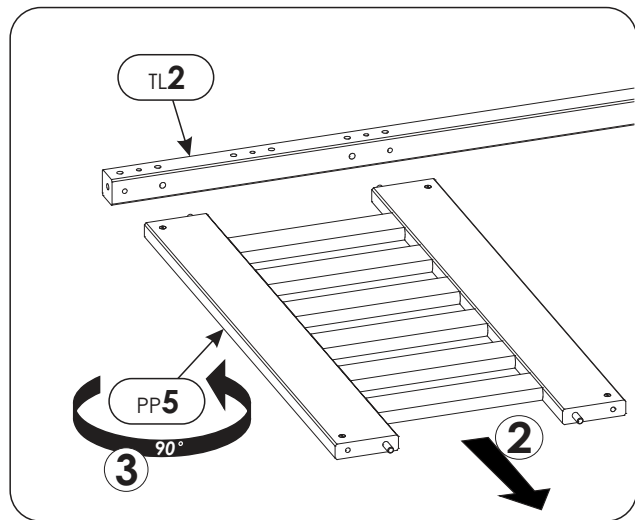
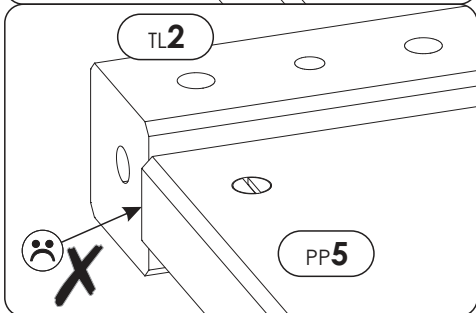
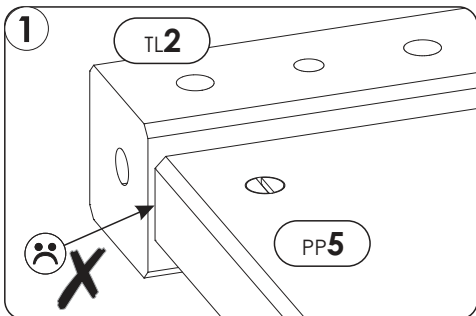


4.

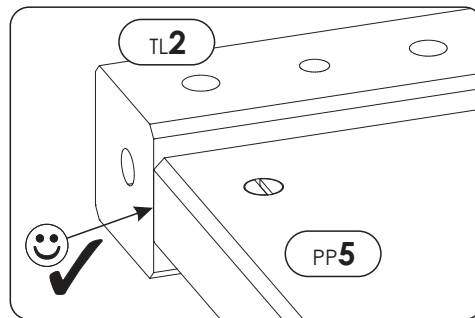
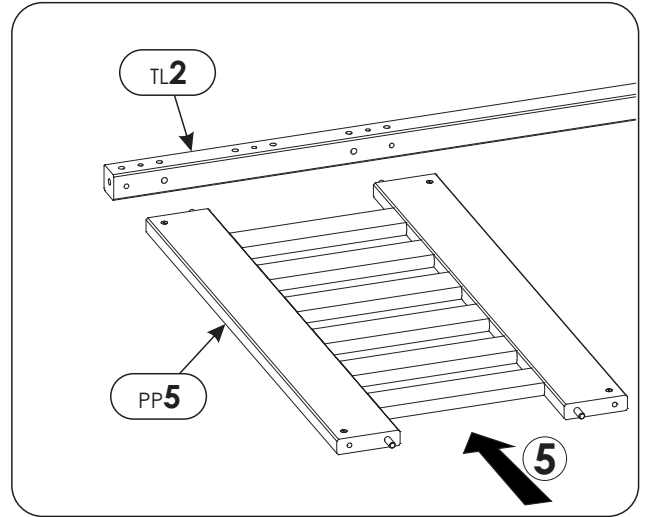
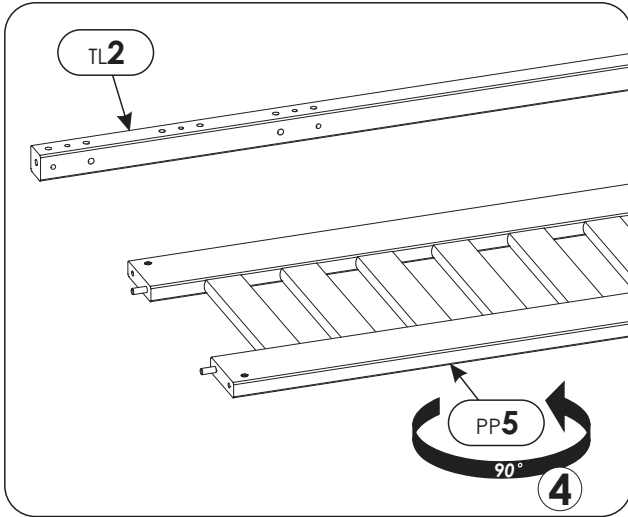
4.1



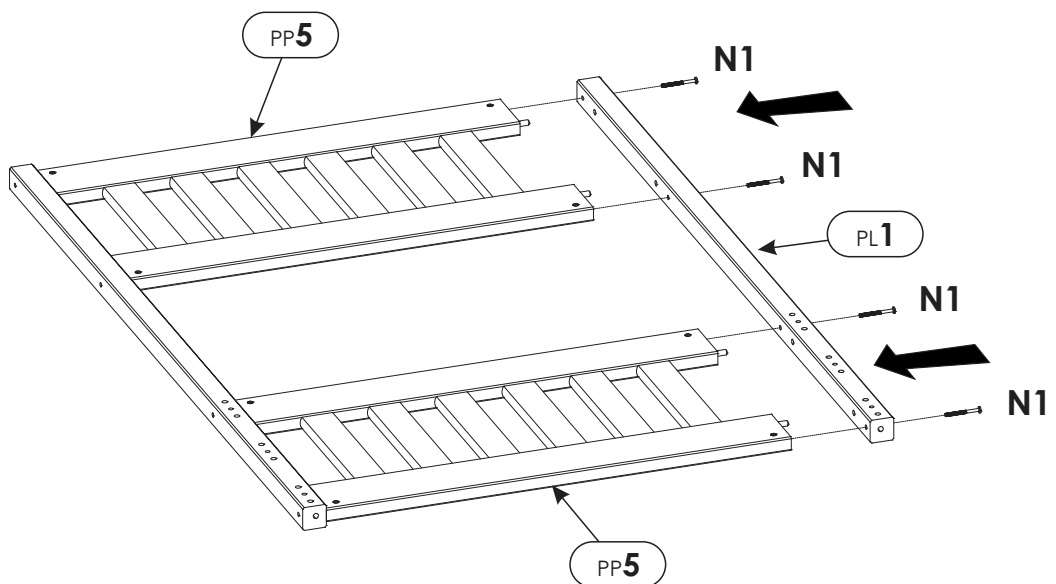
4.2



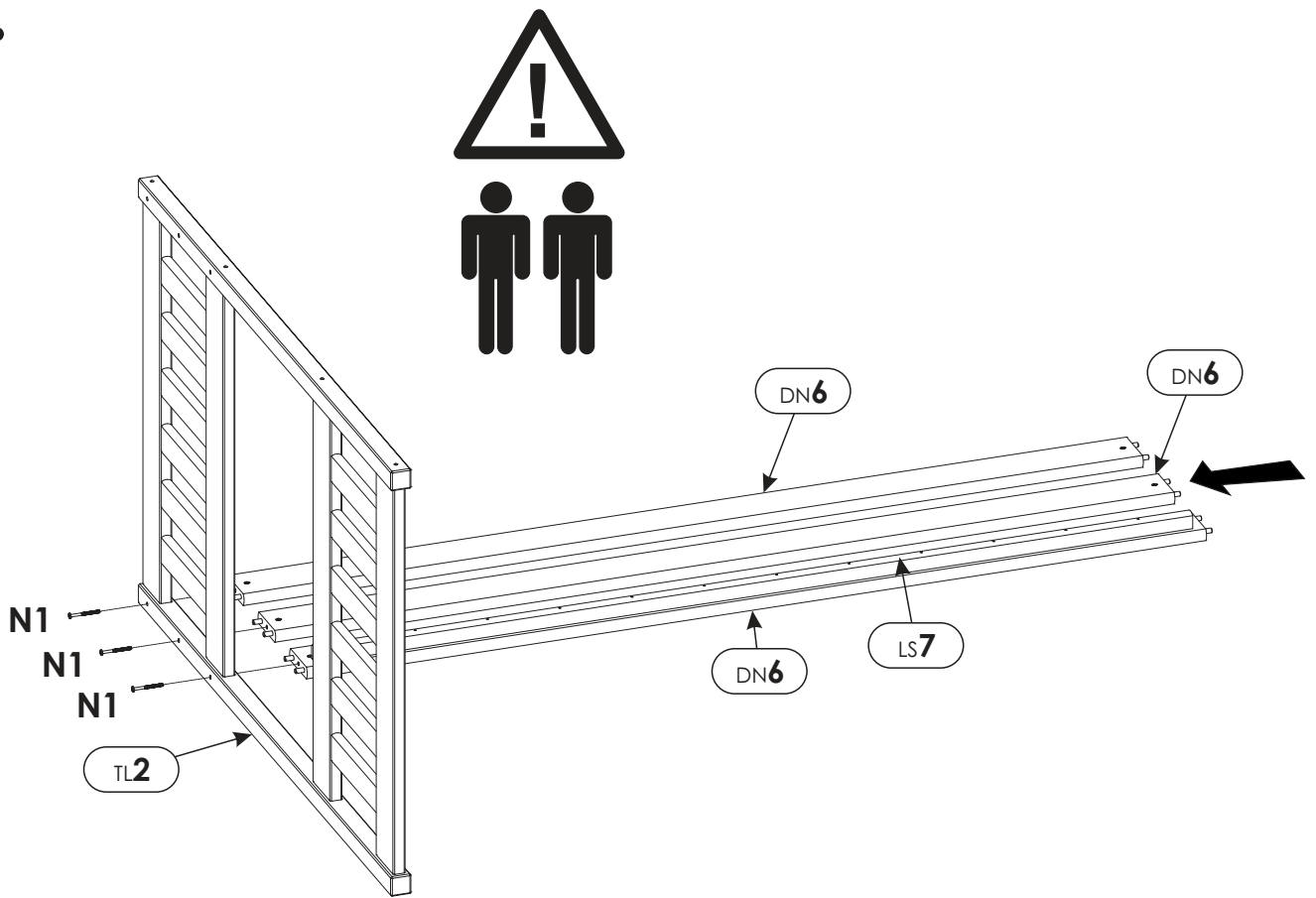
4.3



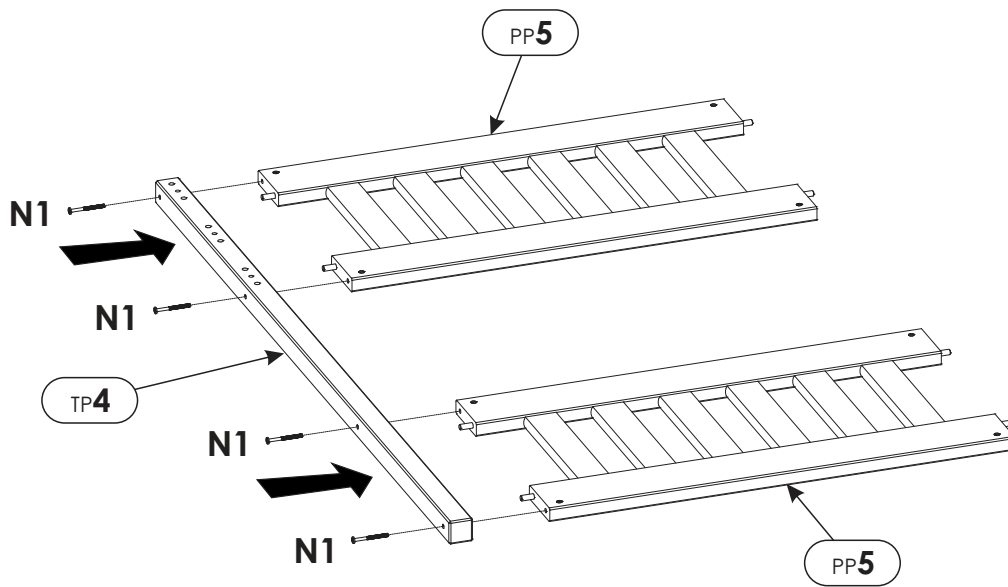
5.



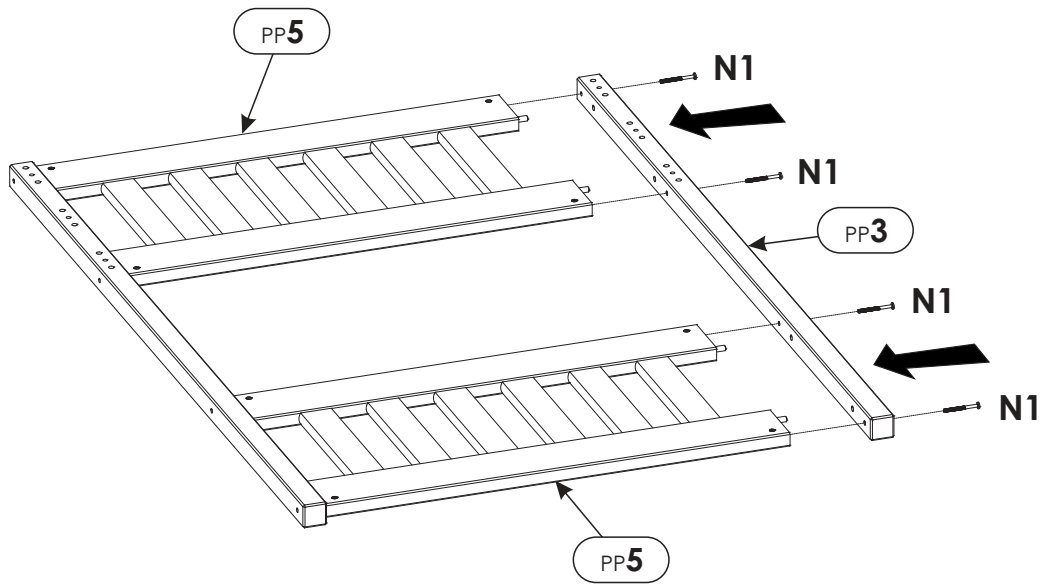
6.



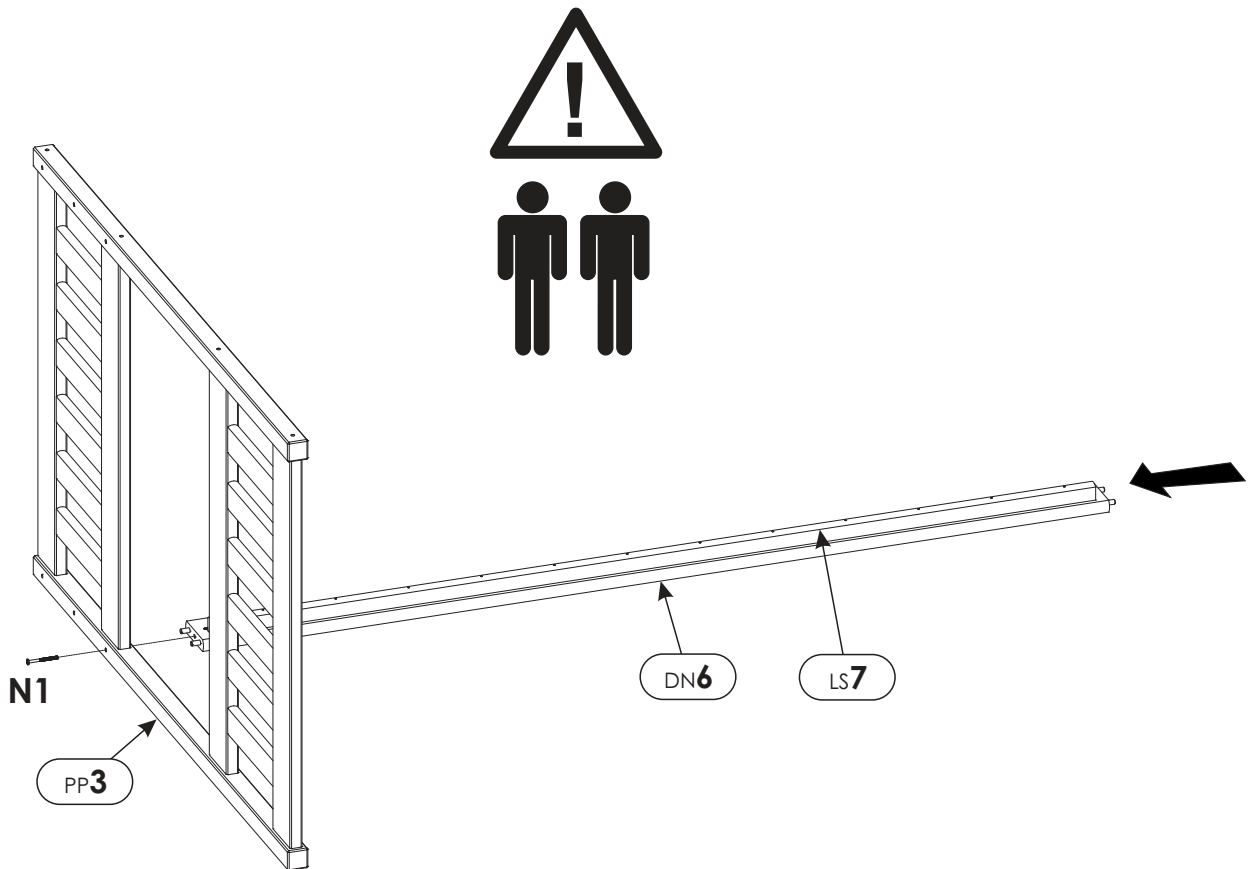
7.



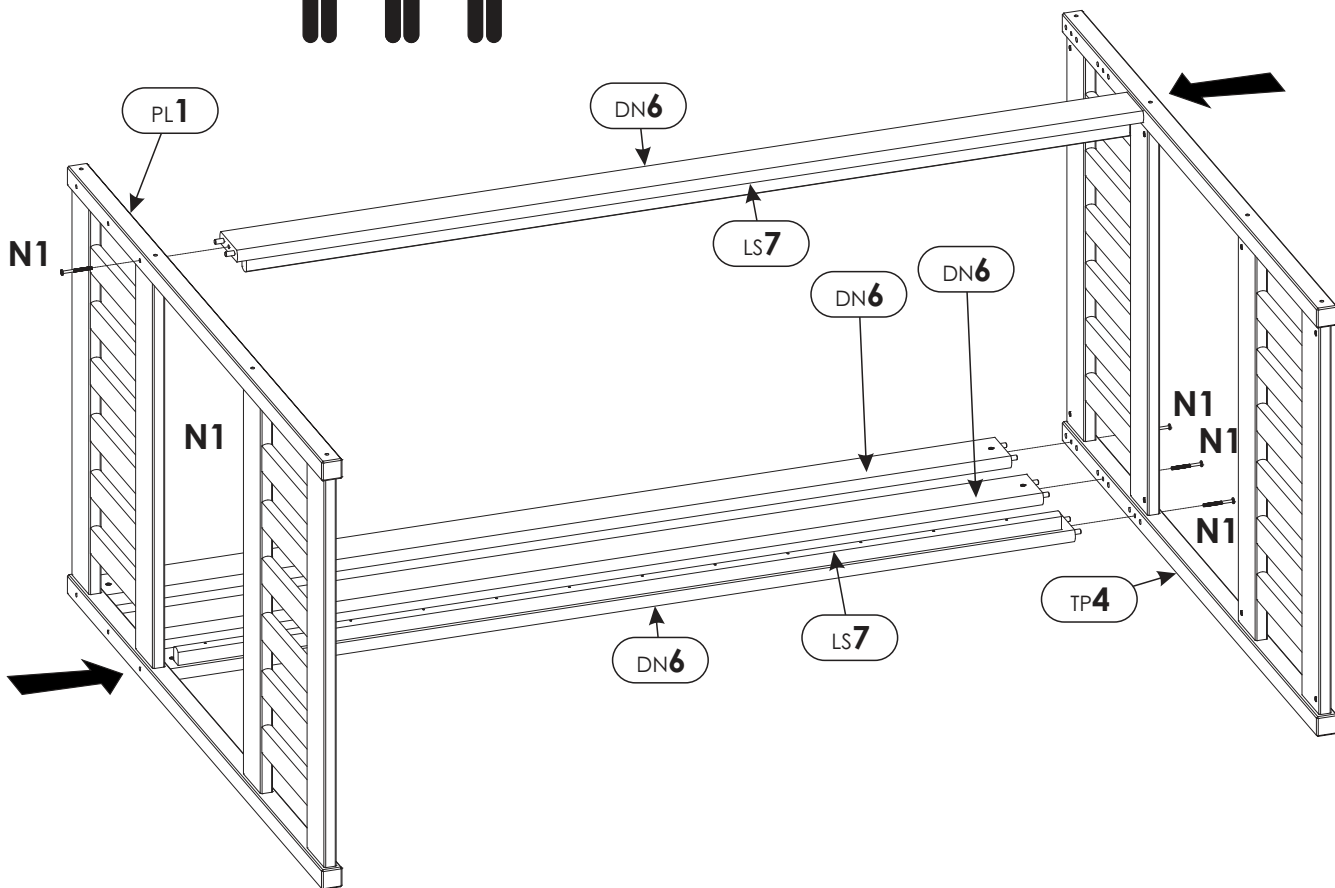
8.



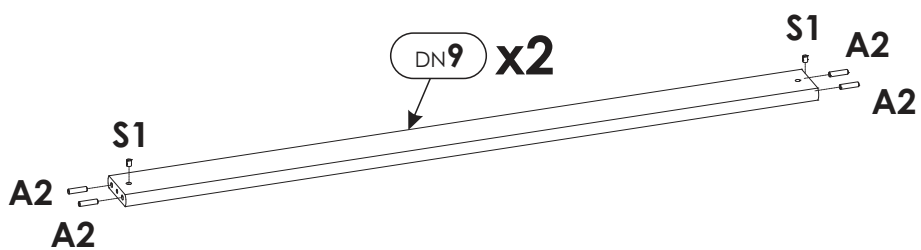
9.



10.



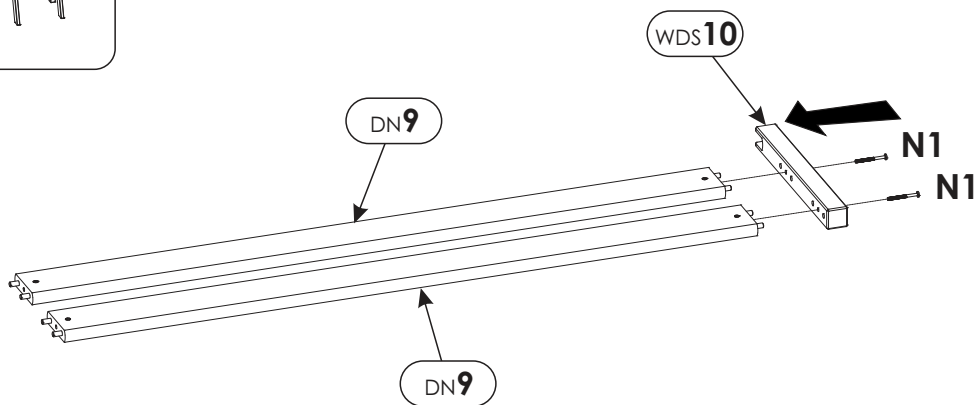
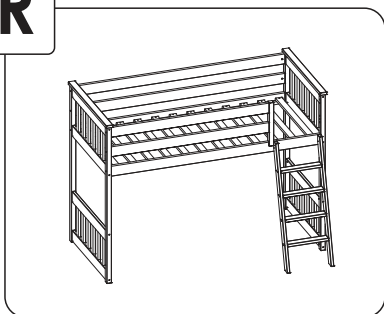
11.



12.

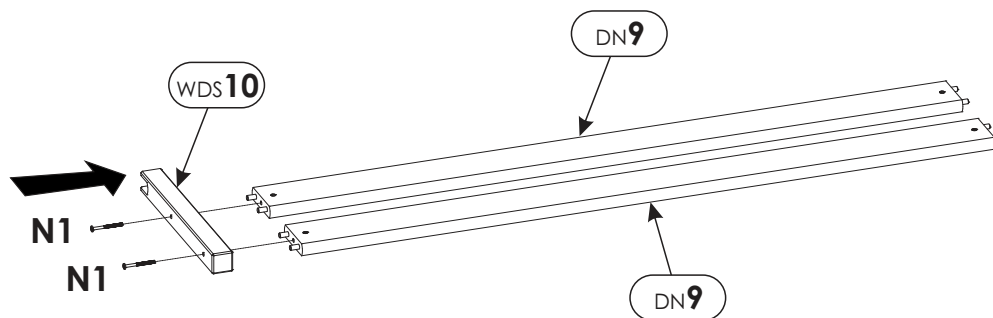
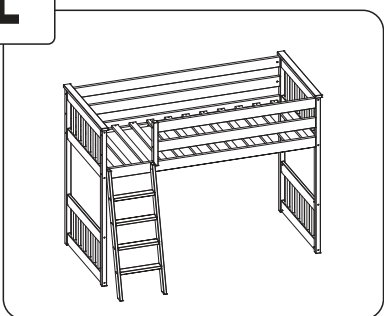
12.1

R



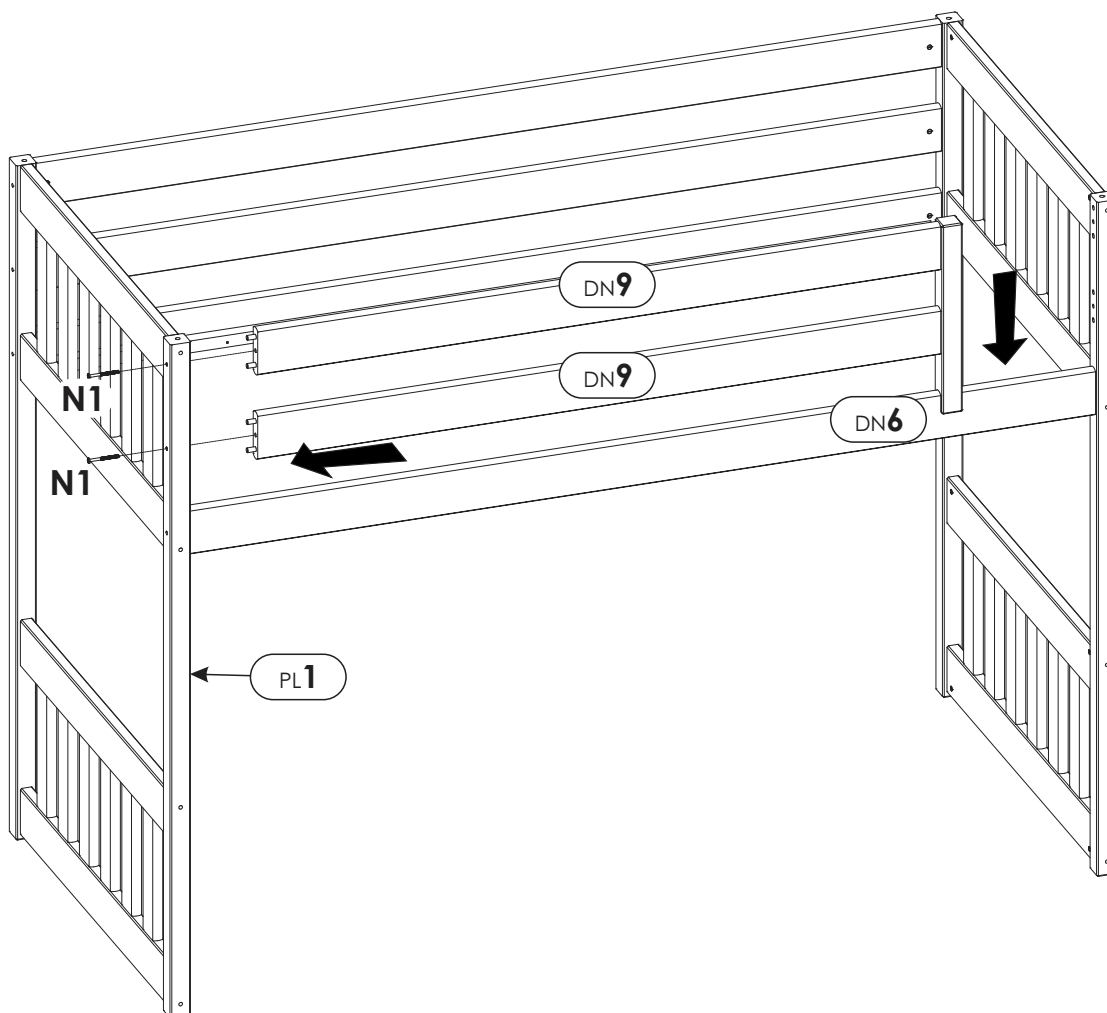
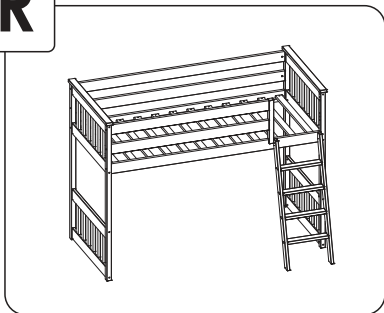
12.1

L



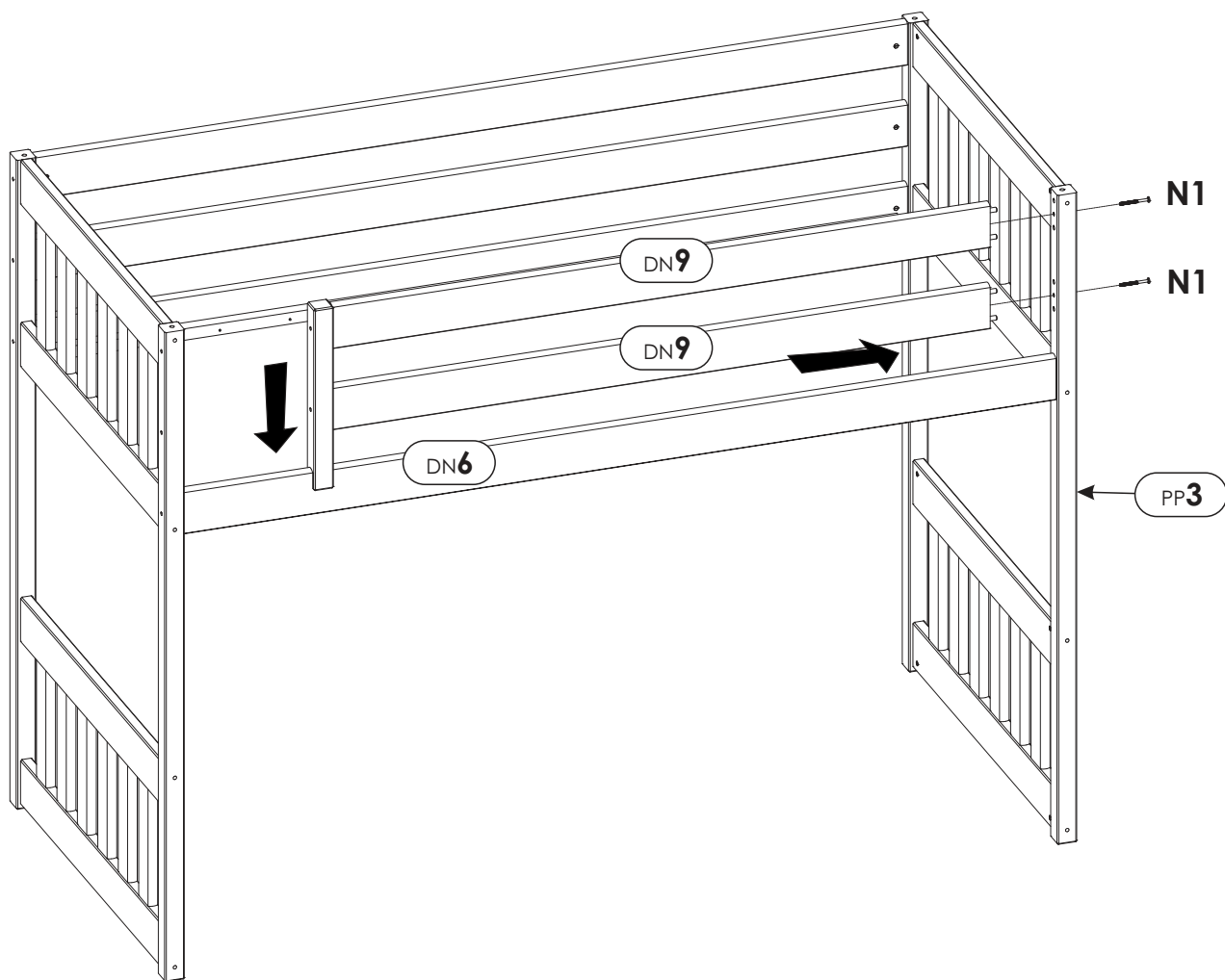
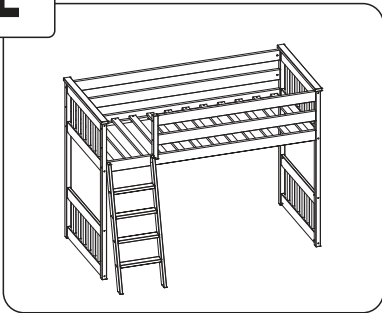
13.

R

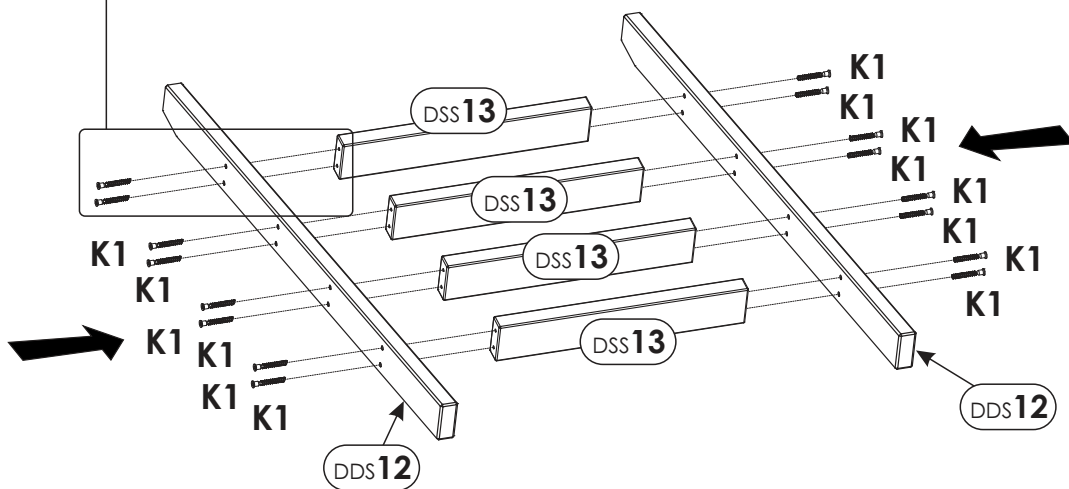
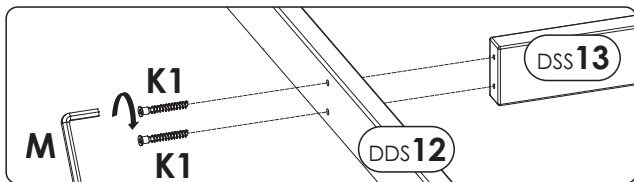


14.

L

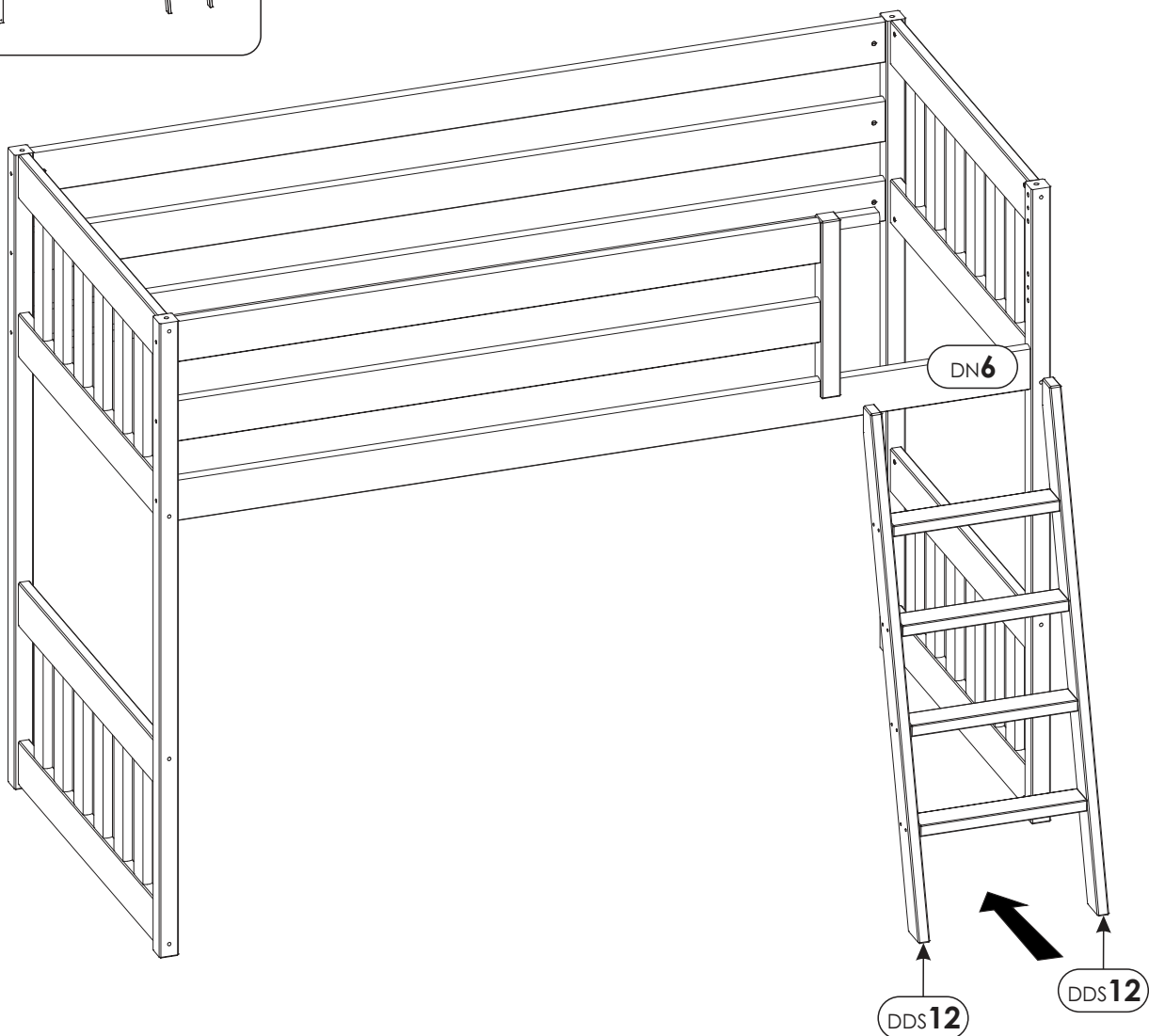
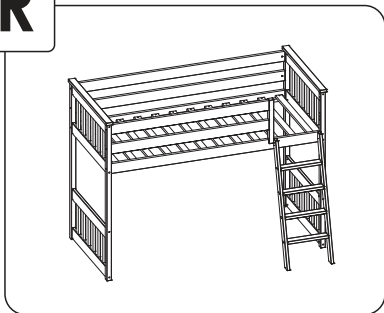


15.



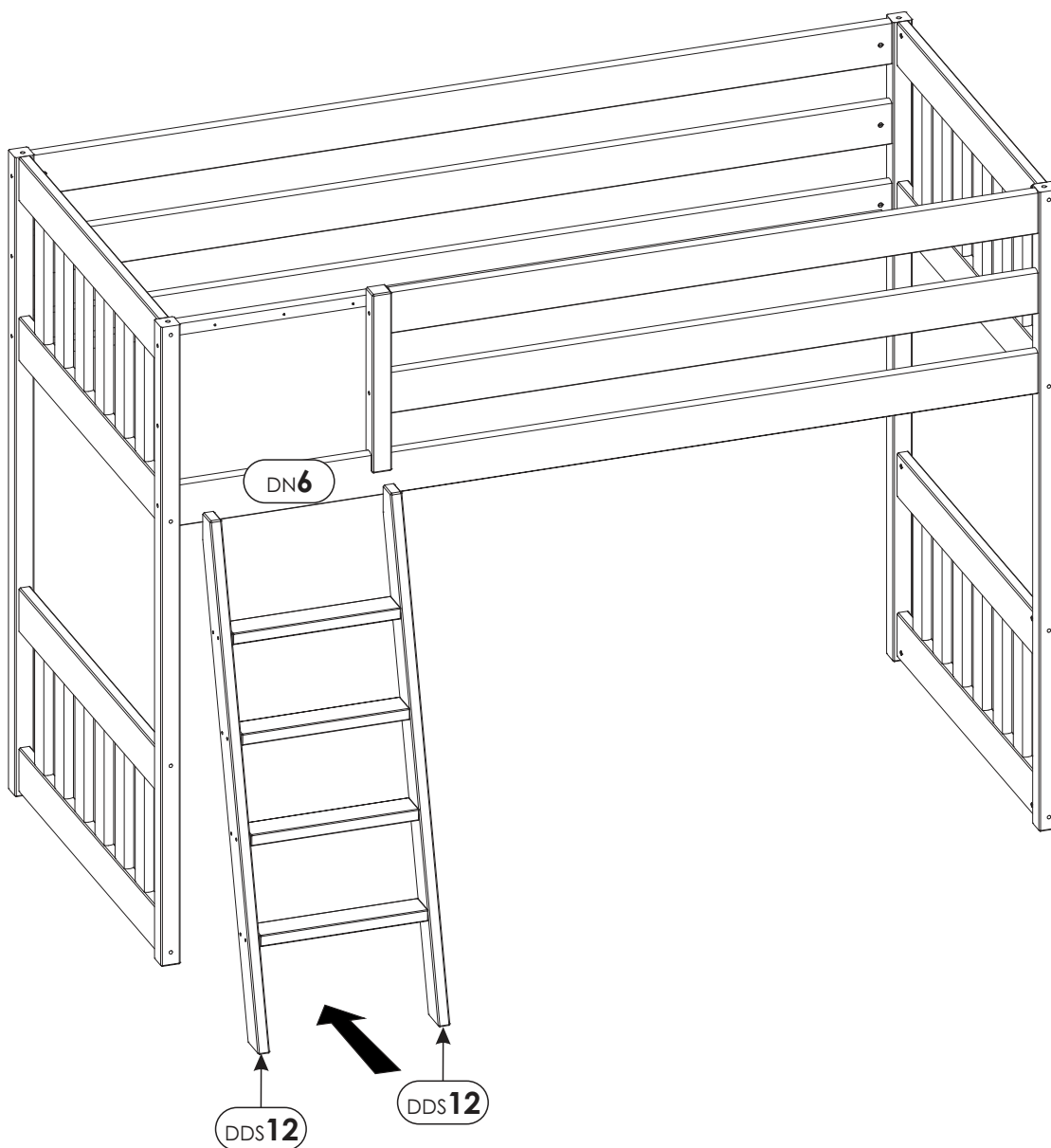
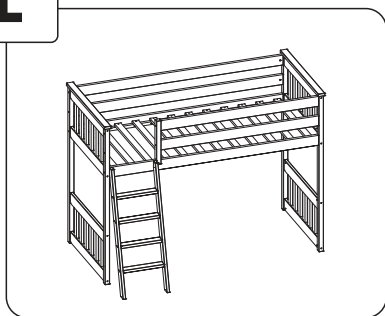
16.

R



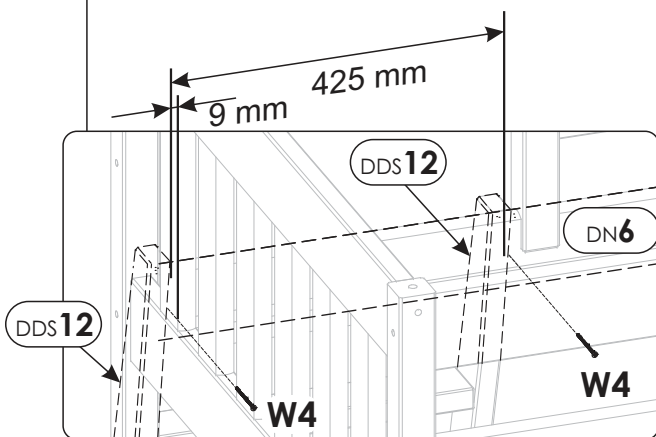
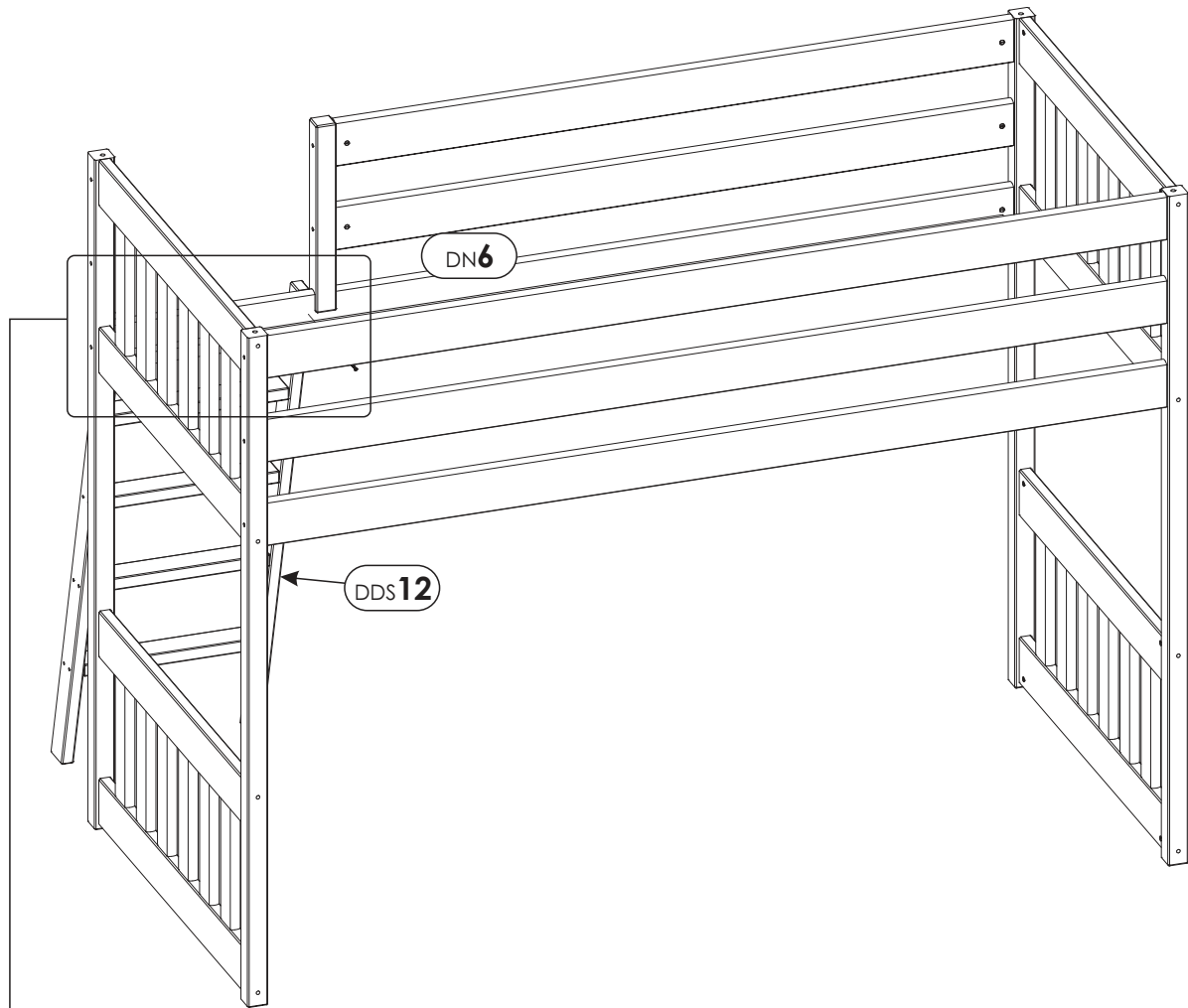
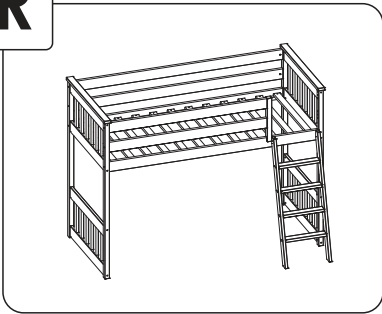
17.

L



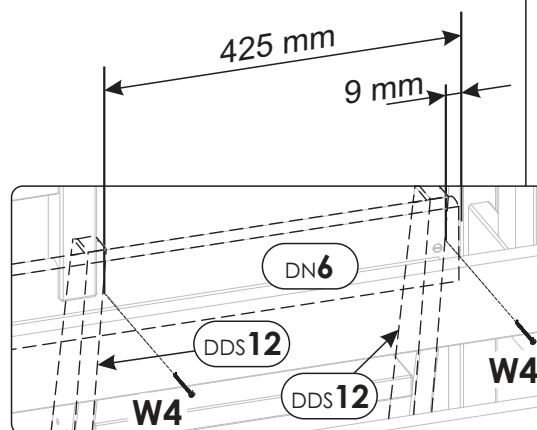
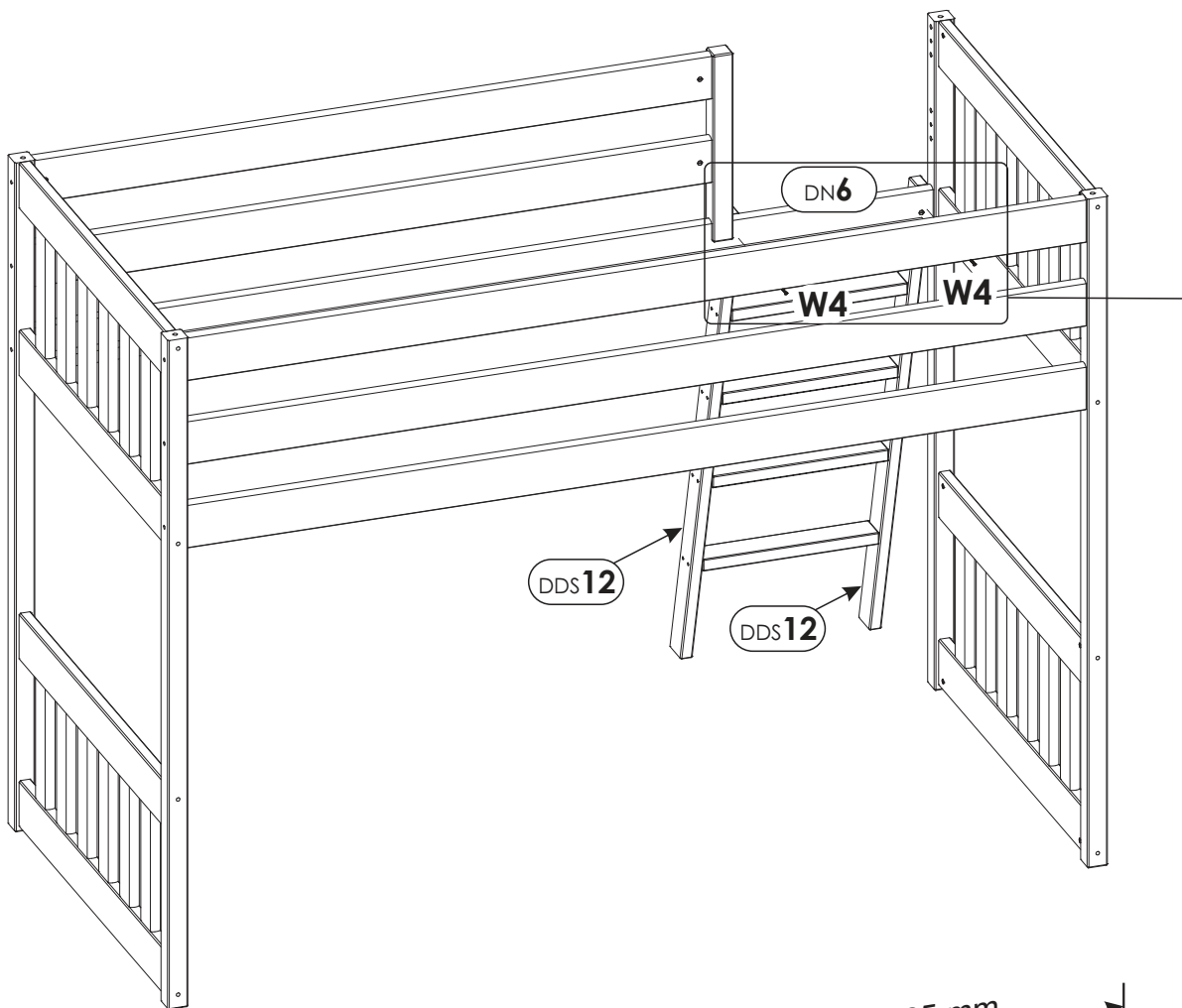
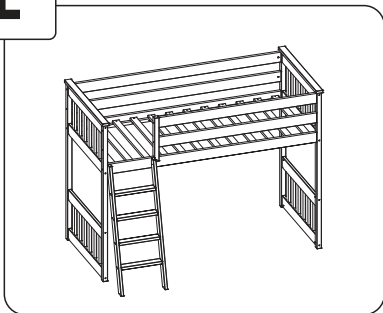
18.

R



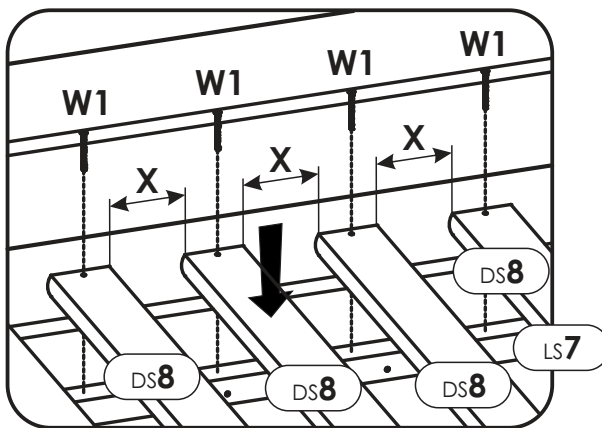
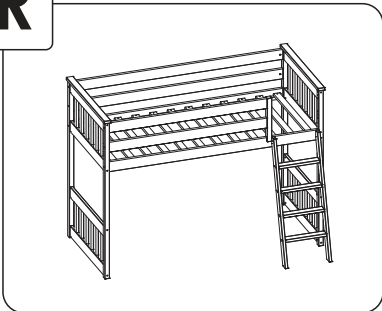
19.

L



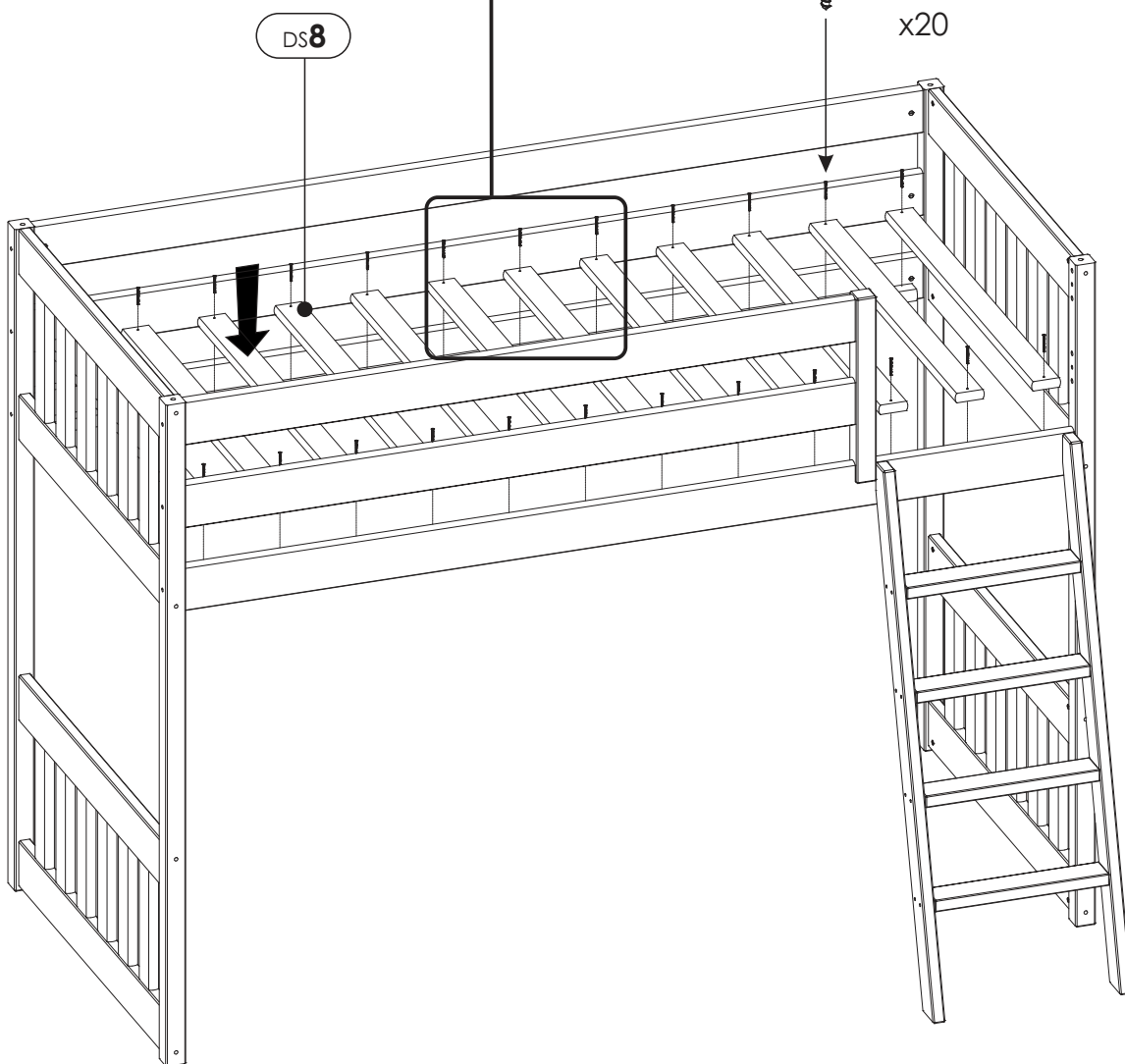
20.

R



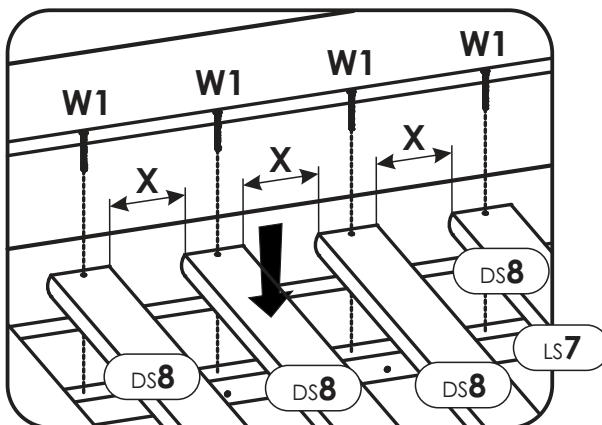
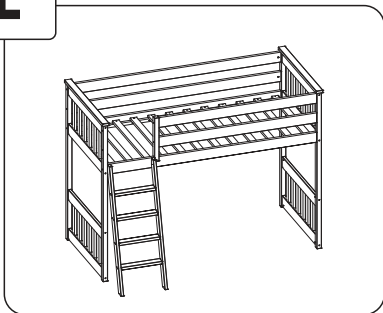
OPTION:

- x30
- x28
- W1** x26
- x24
- x20



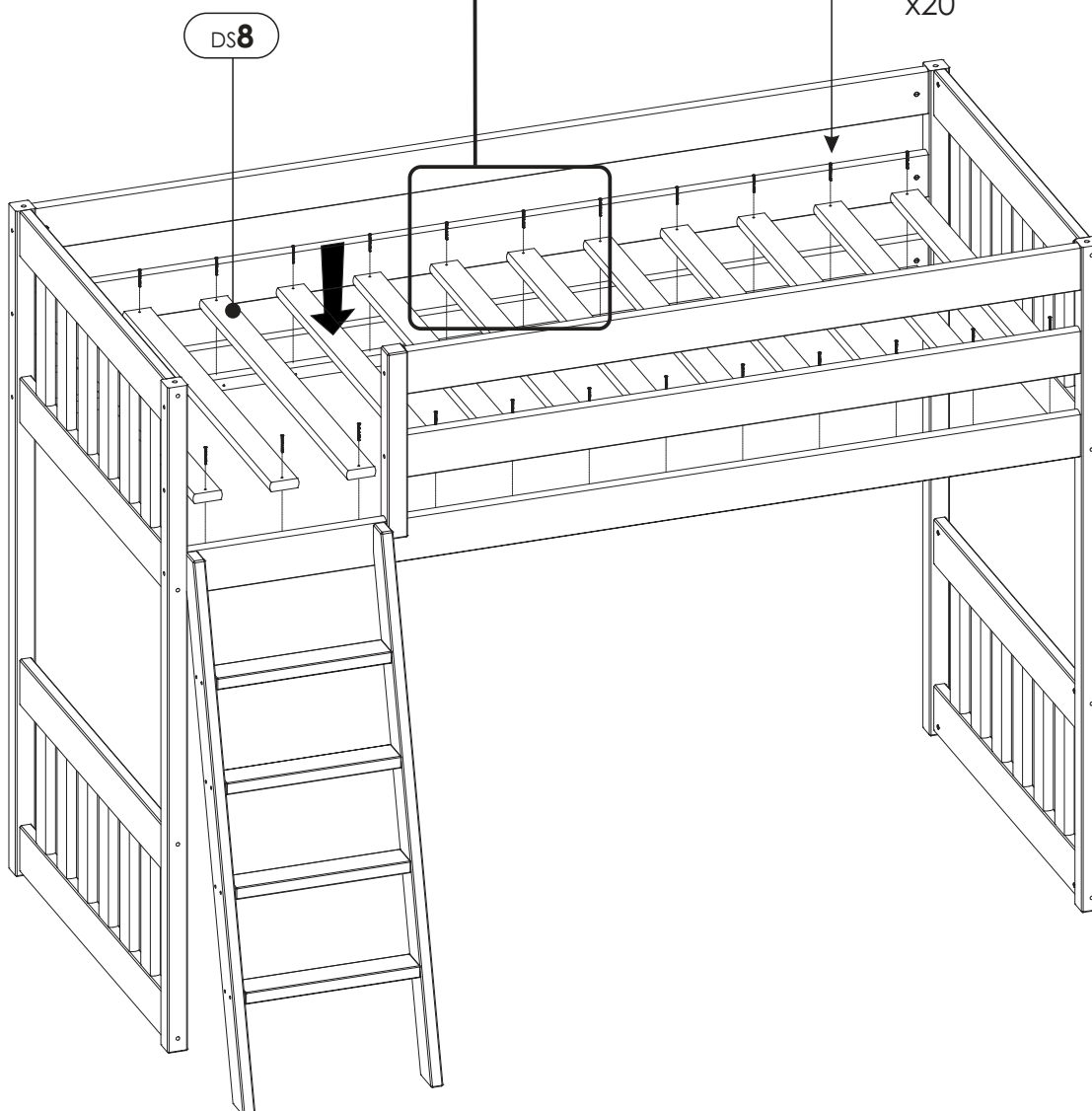
21.

L

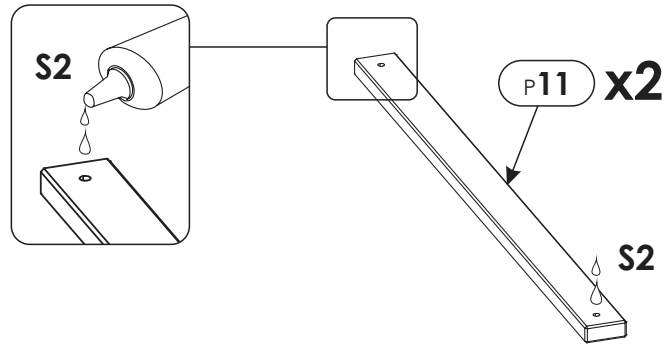


OPTION:

- x30
- x28
- W1** x26
- x24
- x20

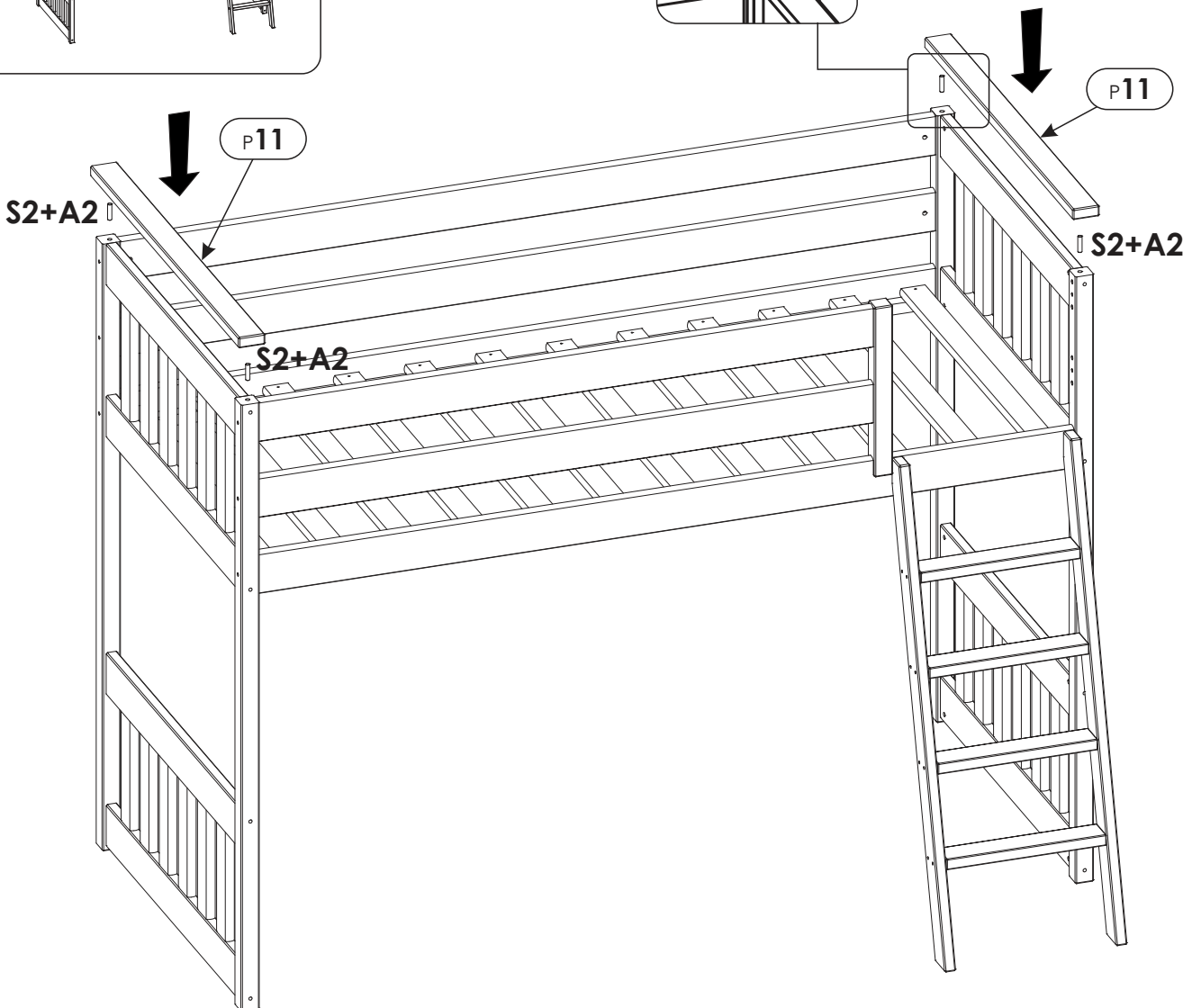
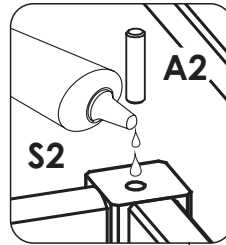
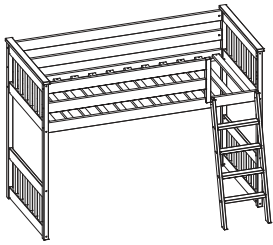


22.



23.

R



24.

L

